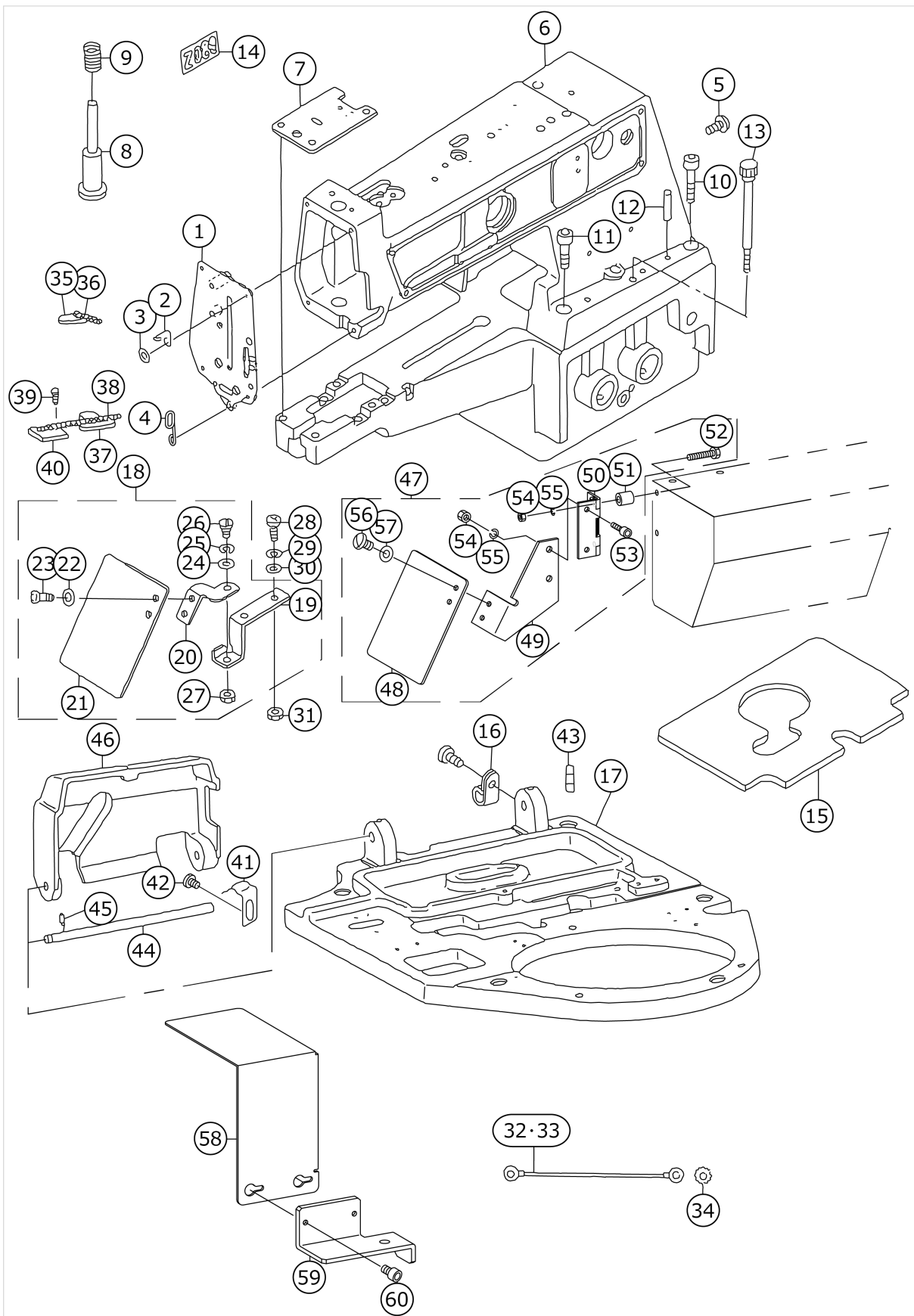


ACF-164-373N

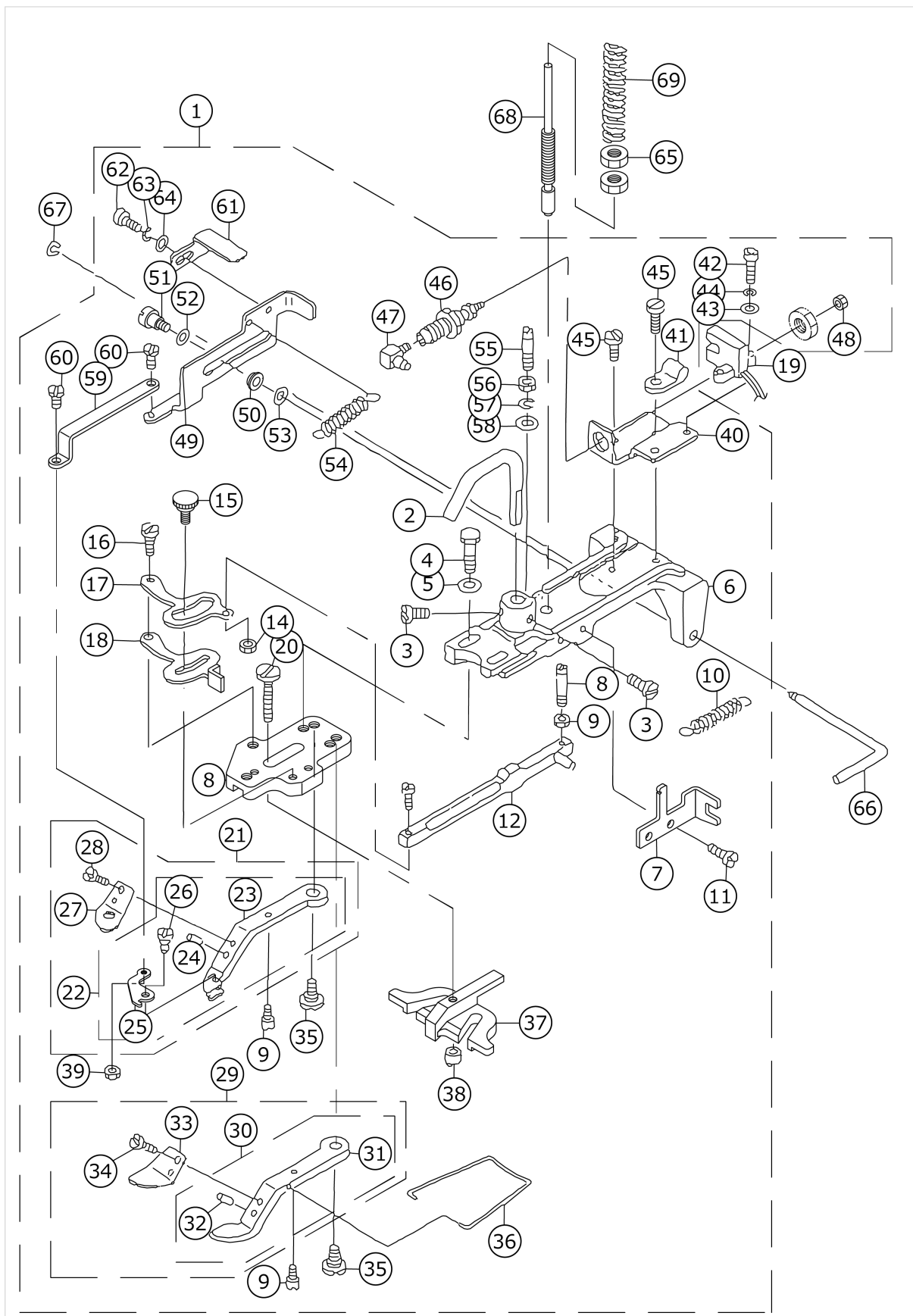
FRAME & MICELLANEOUS COVER COMPONENTS



No.	品番	品名	備考	子部品	消耗品	個数
1	B3101372SA0	MACHINE ARM FRONT COVER ASM.				1.00
2	B2038372000	THREAD GUIDE NO. 2				1.00
3	WP0501016SD	WASHER 5X10.5X1				1.00
4	B3107373S00	THREAD GUIDE NO.3				1.00
5	SS7121410SP	SCREW 3/16-28 L=14				1.00
6	MAZ08901000A	ARM				1.00
7	B1241373SA0	THOAT PLATE ASM.				1.00
8	B4416373000	SPRING GUIDE SHAFT				1.00
9	D9317762T00	GIMP GUIDE SHAFT SPRING				1.00
10	SM6083042CH	SCREW M8 L=30				2.00
11	SM6083542CH	SCREW M8 L=35				2.00
12	B1105372000	GUIDE PIN				2.00
13	B11063720A0	SET SCREW ASM.				1.00
14	BME0Z089000	ATTACHMENT PLATE				1.00
15	B1104372R00	OIL DRIP FELT				1.00
16	HX001500000	CLIP				4.00
17	MAZ08820000	BASE				1.00
18	MAZ089710A0	SAFETY PLATE ASM.	EXCEPT JE,JAPAN			1.00
19	MAZ08973000	SAFETY PLATE INSTALLING BASE		*		1.00
20	MAZ08972000	SAFETY PLATE INSTALLING PLATE		*		1.00
21	B3120372000	SAFETY PLATE		*		1.00
22	WP0450801SD	WASHER 4.5X10X0.8		*		2.00
23	SS4110715SP	SCREW 11/64-40 L=7		*		2.00
24	WP0650876SD	WASHER 6.5X13X0.8		*		1.00
25	B3125155000	DISK SPRING		*		1.00
26	SD0600401SD	HINGE SCREW D= 6 H= 4		*		1.00
27	NM6040001SD	NUT M4		*		1.00
28	SM0041001SC	SCREW M4 L=10				2.00
29	WS0410002KN	SPRING WASHER				2.00
30	WP0430801SC	WASHER 4.3X9X0.8				2.00
31	NM6040001SC	NUT M4				2.00
32	G67011640A0	EARTH CORD ASM. 1				1.00
33	G67021640A0	EARTH CORD ASM. 2				1.00
34	WT0430001KN	TOOTHED WASHER				2.00
35	B3501372000A	OIL FELT, LARGE				1.00
36	CQ202000000	OIL WICK				0.10
37	B3502372000A	OIL FELT, SMALL				1.00
38	CQ202000000	OIL WICK				0.10
39	SS7110840SP	SCREW 11/64-40 L=7.8				1.00
40	B3503372000	OIL SUPPLY FELT				1.00
41	B1127372000	SIDE COVER SPRING				1.00
42	SS7090520SP	SCREW 9/64-40 L= 4.5				1.00
43	PS0200082KH	SPRING PIN				1.00
44	B1110372000	SIDE COVER HINGE SHAFT				1.00
45	SS8150710SP	SCREW 15/64-28 L=7				1.00
46	B112537200A	SIDE COVER, LEFT				1.00
47	MAZ089710B0	EC SAFETY PLATE ASM.	FOR JE,JAPAN			1.00
48	B3120372000	SAFETY PLATE		*		1.00
49	MAZ08974000	SAFETY PLATE INSTALLING PLATE		*		1.00

50	G5903172000	SAFETY PLATE HINGE		*		1.00
51	GBR111115000	MOTOR SPACER.		*		2.00
52	SM9031603SE	SCREW M3 L=16		*		2.00
53	SM6030802TP	SCREW M3X0.5 L=8		*		2.00
54	NM6030001SC	NUT M3		*		4.00
55	WS0310002KN	SPRING WASHER M3		*		4.00
56	SS4110715SP	SCREW 11/64-40 L=7		*		2.00
57	WP0450801SD	WASHER 4.5X10X0.8		*		2.00
58	18215608	PULLEY COVER	FOR JE,JAPAN			1.00
59	18215707	PULLEY COVER PLATE	FOR JE,JAPAN			1.00
60	SM6040602TP	SCREW M4 L=6	FOR JE,JAPAN			2.00

# FEEDER CLAMP MACHANISM COMPONENTS

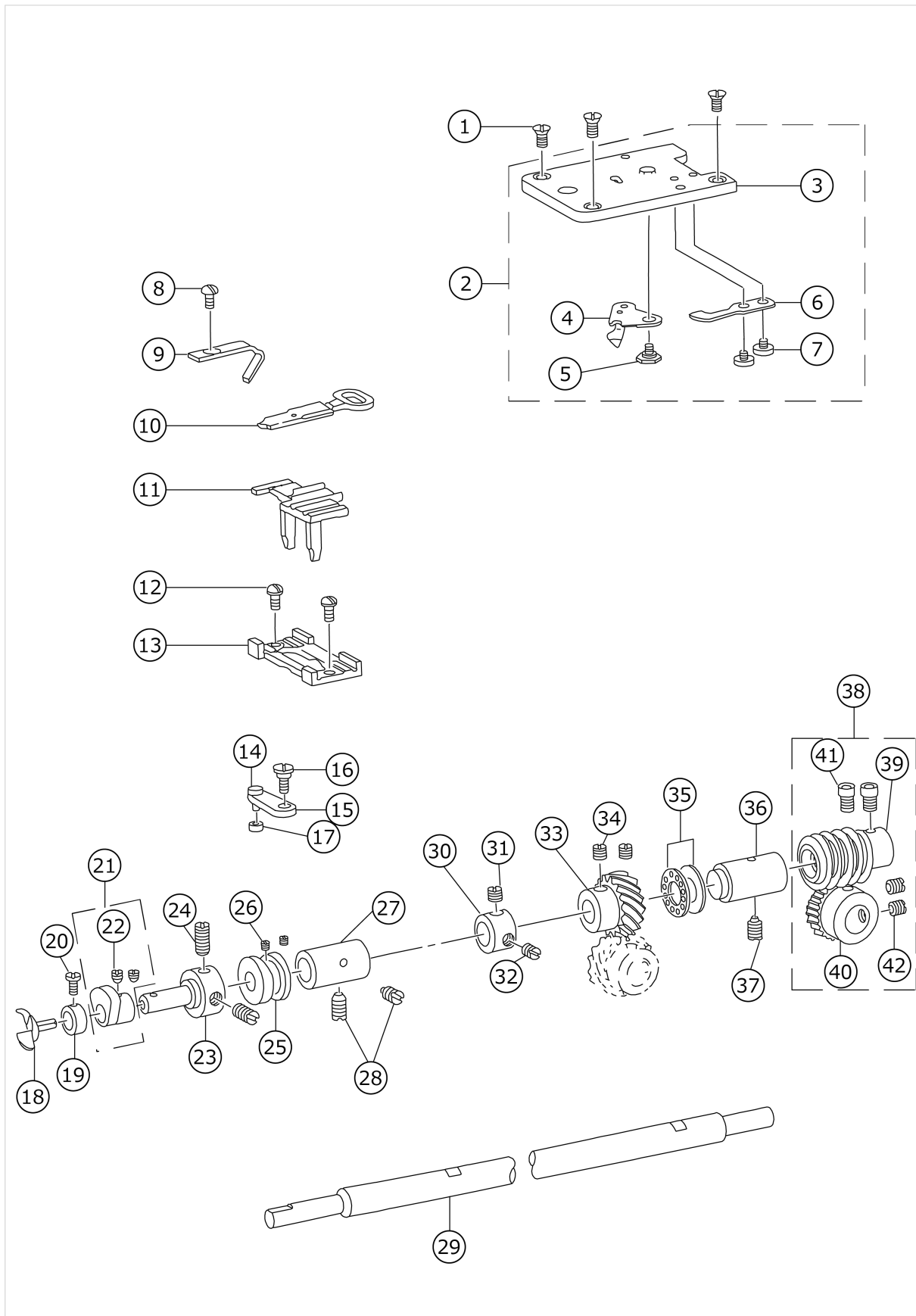




No.	品番	品名	備考	子部品	消耗品	個数
1	MAZ089110A0A	KNOB DEVICE ASM.				1.00
2	B2546372000	BUTTON CLAMP LIFTING ROD		*		1.00
3	SS7150940SP	SCREW 15/64-28 L=9		*		2.00
4	SS9621413SP	SCREW 3/16-32 L=13.5		*		2.00
5	WP0501016SD	WASHER 5X10.5X1		*		2.00
6	MAZ08912000	BUTTON CLAMP HOLDER		*		1.00
7	GBR01602000	SLIDE BRACKET		*		1.00
8	B2547372000	JAW LEVER HOLDER		*		1.00
9	B2560372000	BUTTON CLAMP STOP PIN		*		2.00
10	GBR01606000	RELEASE RETURN SPRING		*		1.00
11	SS9091010SP	SCREW 9/64-40 L=10		*		2.00
12	MAZ088270A0	CLAMP PELEASE LINK ASM.		*		1.00
13	SS7091480SP	SCREW 9/64-40 L=13.5		*		1.00
14	NS6090310SP	NUT 9/64-40		*		1.00
15	B2549372R00A	SCREW		*		1.00
16	SD0500404SP	HINGE SCREW		*		1.00
17	GBR01601000A	CLAMP RELEASE LEVER		*		1.00
18	B2548372R00A	OPEN LEVER		*		1.00
19	MAZ089820A0	BUTTON SENSER SWITCH ASM.				1.00
20	SD0550303SP	HINGE SCREW		*		1.00
21	MAZ089130B0A	PICK-UP FOOT (LEFT)ASM.		*		1.00
22	MAZ089130A0A	BUTTON KNOB FOOT ASM.(LEFT)		*		1.00
23	MAZ08914000A	BUTTON KNOB FOOT(LEFT)		*		1.00
24	B2559372000	BUTTON CLAMP LOCATING PIN		*		1.00
25	MAZ08915000A	DETECTOR LEVER		*		1.00
26	MAZ08916000	LINK SCREW A		*		1.00
27	MAZ08917000	BUTTON HOLDING SPRING,LEFT		*		1.00
28	SS7090410SP	SCREW 9/64-40 L= 3.5		*		1.00
29	MAZ088230B0A	PICK-UP FOOT (RIGHT) ASM.		*		1.00
30	MAZ088230A0A	PICK-UP FOOT (RIGHT) ASM.		*		1.00
31	MAZ08823000A	PICK-UP FOOT (RIGHT)		*		1.00
32	B2559372000	BUTTON CLAMP LOCATING PIN		*		1.00
33	MAZ08829000	SPRING, RIGHT		*		1.00
34	SS7090410SP	SCREW 9/64-40 L= 3.5		*		1.00
35	SD0640391TP	HINGE SCREW D= 6.35 H= 3.9		*		2.00
36	B2561372000	BUTTON CLAMP SPRING		*		1.00
37	MAZ16522000	BUTTON GUIDE FOOT		*		1.00
38	B2553372000	NUT		*		1.00
39	NM6860003SC	NUT M2.6		*		1.00
40	MAZ08918000	CYLINDER BASE		*		1.00
41	HX00150000A	CABLE CLAMP		*		1.00
42	SM6030802TP	SCREW M3X0.5 L=8		*		2.00
43	WP0320501SC	WASHER M3		*		2.00
44	WS0310002KR	SPRING WASHER 3.1X5.9X0.7		*		2.00
45	SS6081010TP	SCREW 1/8-44 L=10		*		2.00
46	PA0601004A0	AIR CYLINDER		*		1.00
47	PJ046052503	HOSE ELBOW		*		1.00
48	NM7030510SA	NUT M3		*		1.00
49	MAZ08919000	SLIDER LINK		*		1.00
50	MAZ16723000	BEARING		*		2.00

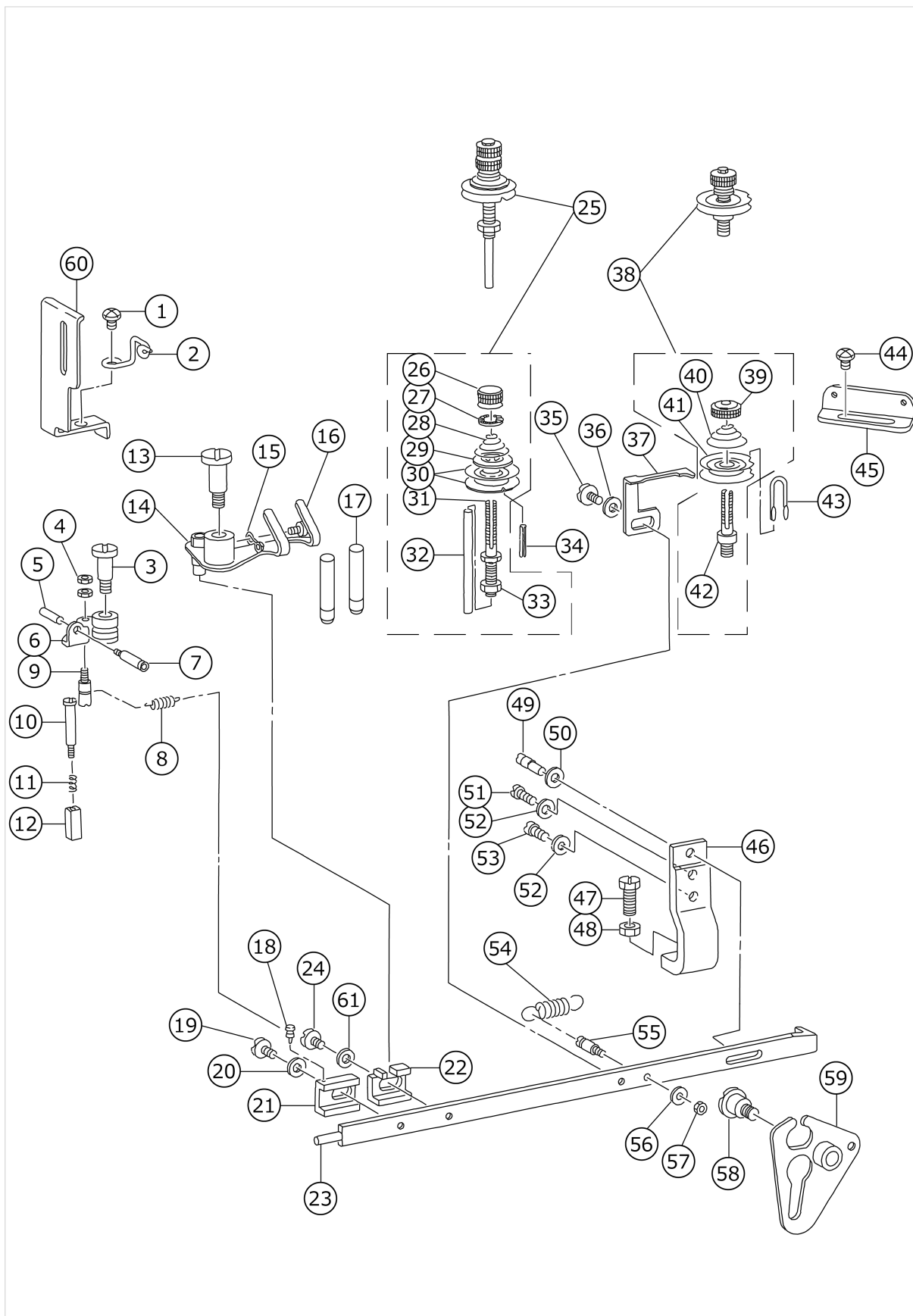
51	SD0450403TP	HINGE SCREW		*		2.00
52	WP0451026SH	WASHER		*		2.00
53	WP0320501SC	WASHER M3		*		2.00
54	D3149141E00	SPRING		*		1.00
55	SS6081810SP	SCREW 1/8-44 L=18.0		*		1.00
56	NS6080210SP	NUT 1/8-44		*		1.00
57	WS0410002KN	SPRING WASHER		*		1.00
58	WP0320501SC	WASHER M3		*		1.00
59	MAZ08920000A	LINK ROD		*		1.00
60	MAZ08921000	LINK SCREW, B		*		2.00
61	MAZ08922000	SHADING PLATE		*		1.00
62	SM6030402TP	SCREW M3X0.5 L=4		*		1.00
63	WS0310002KR	SPRING WASHER 3.1X5.9X0.7		*		1.00
64	WP0320501SC	WASHER M3		*		1.00
65	NS6660511SP	NUT 1/4				2.00
66	B2540372000	HINGE PIN				1.00
67	B2541372000	SNAP RING				1.00
68	B2544372000	BUTTON CLAMP PRESSURE ADJUSTIN				1.00
69	B2545372000	PRESSURE ADJUSTING SPRING				1.00

# LOOPER COMPONENTS



No.	品番	品名	備考	子部品	消耗品	個数
1	SS2110920TP	SCREW 11/64-40 L=8.5				3.00
2	B12413730B0	THROAT PLATE ASM.				1.00
3	B1241373000	THROAT PLATE		*		1.00
4	B24063730A0	MOVING KNIFE ASM.		*		1.00
5	SD0600095TH	HINGE SCREW D= 6 H= 0.85		*		1.00
6	B2410373000	COUNTER KNIFE		*		1.00
7	SS7080310SP	SCREW 1/8-44 L= 3.0		*		2.00
8	SS7110840SP	SCREW 11/64-40 L=7.8				1.00
9	B1242373000	NEEDLE GUARD				1.00
10	B1237373000	YOKE SLIDE				1.00
11	B1236373000	POSITIONING FINGER YOKE SLIDE				1.00
12	SS1110710SP	SCREW 11/64-40 L=7				2.00
13	B1235373000	YOKE SLIDE INSERT				1.00
14	B1231372000	PIN				1.00
15	B1230372000	THREAD HADLER LENGTHWISE ARM				1.00
16	SD0640241SP	HINGE SCREW D= 6.35 H= 2.4				1.00
17	B1232372000	LOOP POSITIONING FINGER LEVER				1.00
18	B1239372000	LOOPER				1.00
19	CS0790721TH	THRUST COLLAR D=7.94 W=7				1.00
20	SS7090620TP	SCREW 9/64-40 L=6.1				1.00
21	B12343720A0	LOOP POSITIONING FINGER CAM AS				1.00
22	SS8110410TP	SCREW 11/64-40 L= 3.5		*		2.00
23	B1233372000	CAM & LOOPER SLEEVE				1.00
24	SS8150410TP	SCREW 15/64-28 L= 4.0				2.00
25	B1228372000	LOOP POSITIONING FINGER CAM RE				1.00
26	SS8110310SP	SCREW 11/64-40 L= 2.8				2.00
27	B1227372000	LOOPER SHAFT BUSHING, FRONT				1.00
28	SS8151150SP	SCREW 15/64-28 L=10.5				2.00
29	B1219373N00	LOOPER SHAFT				1.00
30	CS1111019SH	THRUST COLLAR D=11.11 W=10				1.00
31	SS8660512TP	SCREW 1/4-40 L=5				1.00
32	SS8660330SP	SCREW 1/4-40 L= 3.0				1.00
33	B1224372000	LOOPER SHAFT DRIVEN GEAR (B)				1.00
34	SS8660612TP	SCREW 1/4-40 L=6				2.00
35	B1215372A00	THRUST BALL BEARING				1.00
36	B1222372000	LOOPER SHAFT BUSHING, REAR				1.00
37	SS8151150SP	SCREW 15/64-28 L=10.5				1.00
38	B1221373NA0	WORM WHEEL ASM.				1.00
39	B1221373N00	WORM		*		1.00
40	B1220372000	CAM SHAFT DRIVEN GEAR		*		1.00
41	SS6660712TP	SCREW 1/4-40 L= 7.0		*		2.00
42	SS8660612TP	SCREW 1/4-40 L=6		*		2.00

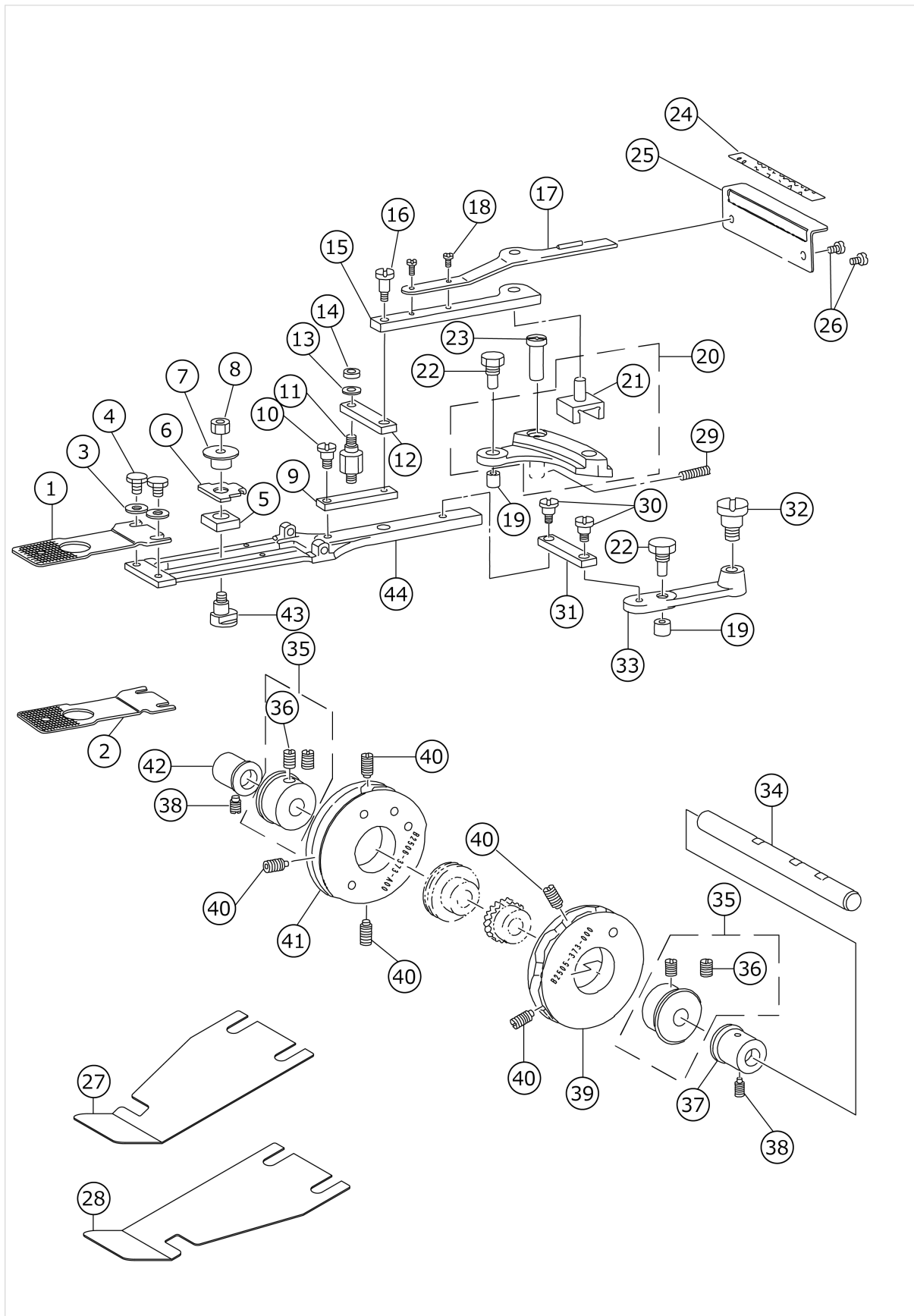
# NIPPER & THREAD TENSION COMPONENTS



No.	品番	品名	備考	子部品	消耗品	個数
1	SS4150915SP	SCREW 15/64-28 L=9				1.00
2	B2038372000	THREAD GUIDE NO. 2				1.00
3	SD0791271SP	HINGE SCREW D= 7.94 H=12.7				1.00
4	NS6080210SP	NUT 1/8-44				2.00
5	B2035372000	NUT				1.00
6	B20313720A0	THREAD NIPPER ASM.				1.00
7	B2034372000	THREAD RELEASING SCREW STUD				1.00
8	B2037372000	NIPPER BAR BLOCK SPRING				1.00
9	B2036372000	NIPPER BAR BLOCK SPRING SCREW				1.00
10	SD0402001TP	HINGE SCREW D=4 H=20				1.00
11	B2029372000	NIPPER BLOCK SPRING				1.00
12	B2028372000	NIPPER BLOCK				1.00
13	SD0791501SP	HINGE SCREW D= 7.94 H=15.0				1.00
14	B2026373NA0	THREAD PULL-OFF LEVER ASM.				1.00
15	B2040373000	THREAD GUIDE				1.00
16	SS7090510SP	SCREW 9/64-40 L= 4.6				1.00
17	B2024372000	THREAD GUIDE				2.00
18	B2012372000	NIPPER BAR BLOCK SPRING PIN				1.00
19	SS6120930TP	SCREW 3/16-28 L=9				1.00
20	WP0501016SD	WASHER 5X10.5X1				2.00
21	B2011372000	NIPPER BAR BLOCK				1.00
22	B2010373N00	NIPPER BAR BLOCK				1.00
23	B2004372000	NIPPER BAR				1.00
24	SS6120930TP	SCREW 3/16-28 L=9				1.00
25	B20193720AA	TENSION POST ASM., NO.2				1.00
26	B3116125000	TENSION NUT		*		1.00
27	B3120125000	ROTATING STOPPER		*		1.00
28	B2021372000	THREAD TENSION SPRING NO.2		*		1.00
29	B3132012000	TENSION DISC HOLDER		*		1.00
30	B2016372000	TENSION DISC		*		2.00
31	B2019372000	TENSION POST NO.2		*		1.00
32	B2020372000	TENSION RELEASE PIN		*		1.00
33	NS6160520SP	NUT 1/4-24		*		1.00
34	PS0200142K0	SPRING PIN 2.0X14				1.00
35	SS6120930TP	SCREW 3/16-28 L=9				1.00
36	WP0501016SD	WASHER 5X10.5X1				1.00
37	B2009372000	THREAD TENSION RELEASING LEVER				1.00
38	B20153720A0	THREAD TENSION ASM. (NO.1)				1.00
39	B3125012000	THREAD TENSION NUT		*		1.00
40	B2017372000	TENSION SPRING NO.1		*		1.00
41	B2016372000	TENSION DISC		*		2.00
42	B2015372000	THREAD TENSION STAFF NO. 1		*		1.00
43	B2014372000	THREAD BUIDE				1.00
44	SS4150915SP	SCREW 15/64-28 L=9				1.00
45	B2039373000	THREAD GUIDE NO.1				1.00
46	B2005373000	NIPPER BAR BEARING BLOCK				1.00
47	SS9151420TP	BOLT 15/64-28 L=14				1.00
48	NS6150310SP	NUT 15/64-28				1.00
49	B2006372000	ADJUSTING SCREW				1.00
50	WP0480856SP	WASHER 4.8X8.4X0.8				2.00

51	SS6121610TP	SCREW 3/16-28 L=15.5				1.00
52	WP0480856SP	WASHER 4.8X8.4X0.8				2.00
53	SS6121050SP	SCREW 3/16-28 L= 9.5				1.00
54	B2008372000	THREAD TENSION SPRING				1.00
55	B2007372000	NIPPER BAR SPRING SCREW				1.00
56	WP0371016SD	WASHER 3.7X8X1				1.00
57	NS6080340SP	NUT 1/8-44				1.00
58	SD0790802SP	HINGE SCREW D= 7.94 H= 8.0				1.00
59	B20013720A0	NIPPER BAR ACTUATING LEVER ASM				1.00
60	B1421372000	NEEDLE BAR GUARD				1.00
61	WP0501016SD	WASHER 5X10.5X1				1.00

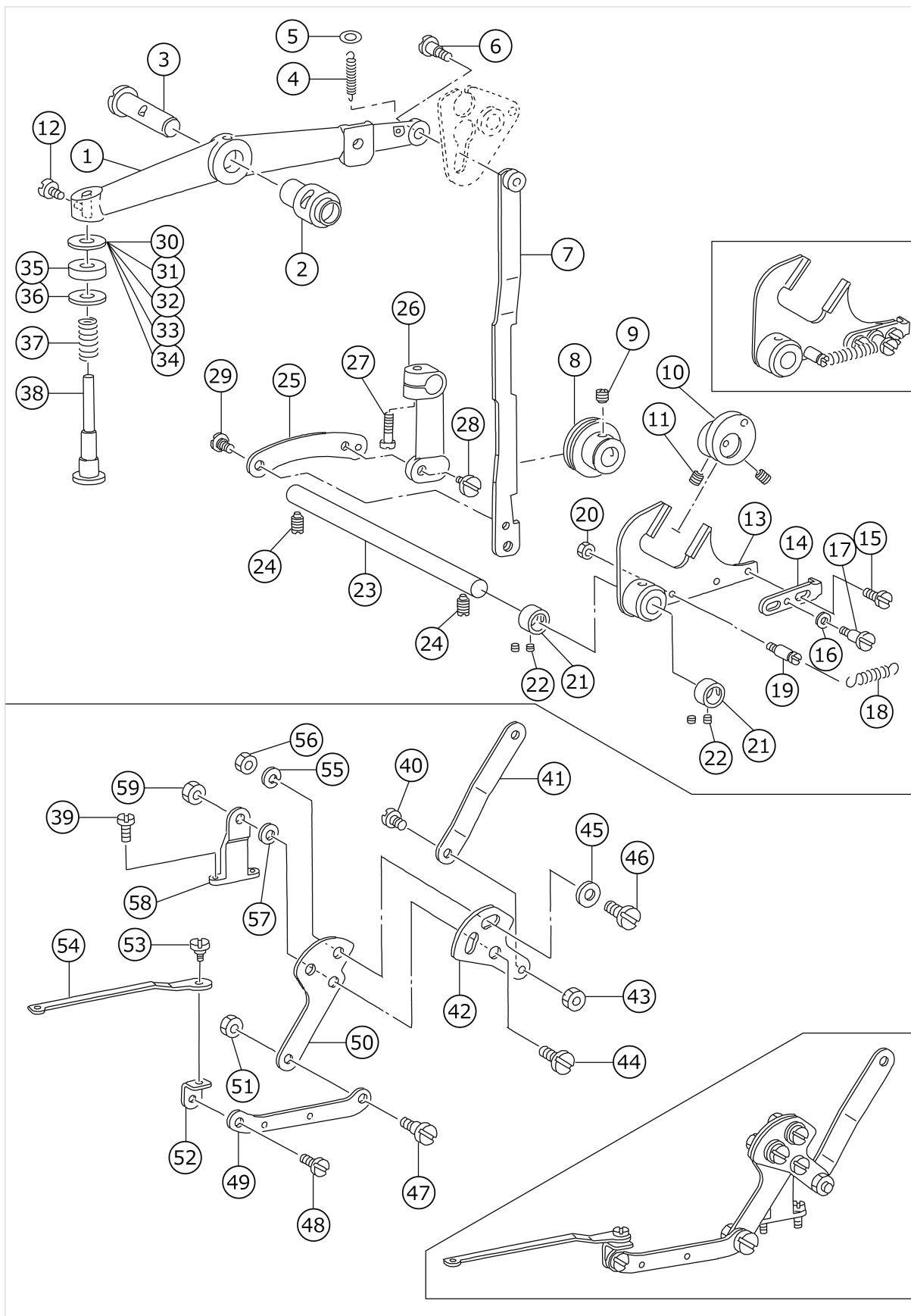
# FEED MECHANISM COMPONENTS





No.	品番	品名	備考	子部品	消耗品	個数
1	B2529373N00	FEED PLATE, SMALL BUTTON				1.00
2	B2529373N0B	FEED PLATE, MIDDLE BUTTON	OPTIONAL PART			1.00
3	WP0501016SD	WASHER 5X10.5X1				2.00
4	SS9120623TP	SCREW				2.00
5	B2524372000	INDICATOR PIN BEARING BLOCK				1.00
6	B2525373N00	CROSSWISE FEED INDICATOR				1.00
7	B2526372000	CROSSWISE FEED INDICATOR PIN				1.00
8	NS6160520SP	NUT 1/4-24				1.00
9	B2518372000A	SLIDE PLATE CONNECTING LINK A				1.00
10	SD0640961SP	HINGE SCREW D= 6.35 H= 9.6				1.00
11	B2521372000	STUD				1.00
12	B2519372000	INTERMEDI CONNECTING LINK				1.00
13	WP0501016SD	WASHER 5X10.5X1				1.00
14	NS6120310SP	NUT 3/16-28				1.00
15	B2513372000	INDICATOR SPRING CONNECTING LI				1.00
16	SD0640481SP	HINGE SCREW D= 6.35 H= 4.8				1.00
17	B2515372000	HANDLE & INDICATOR SPRING				1.00
18	SS4090615SP	SCREW 9/64-40 L=6				2.00
19	B2507372000	CAM ROLL				2.00
20	B25113720A0	LENGTHWISE FEED LEVER ASM.				1.00
21	B2512372000	LENGTHWISE FEED LEVER SLIDE BL		*		1.00
22	B2508372000	CAM ROLL SCREW STUD				2.00
23	B2509372000A	FEED STUD				1.00
24	B2563372000	LENGTHWISE FEED GRADUATE PLATE				1.00
25	B2564372000	PLATE BASE				1.00
26	SS4120615SP	SCREW 3/16-28 L=6				2.00
27	G5520164000	SLIP STOPPER (FOR MEN'S)	OPTIONAL PART			1.00
28	G5521164000	SLIP STOPPER (FOR LADIE'S)	OPTIONAL PART			1.00
29	SS8152030SP	SCREW 15/64-28 L=20				1.00
30	SD0640481SP	HINGE SCREW D= 6.35 H= 4.8				2.00
31	B2519372000	INTERMEDI CONNECTING LINK				1.00
32	SD0791051SP	HINGE SCREW D= 7.94 H=10.5				1.00
33	B2510372000A	CROSSWISE FEED LEVER				1.00
34	B2501372000	CAM SHAFT				1.00
35	B25303720A0	CAM BOSS ASM.				2.00
36	SS8680810TP	SCREW 9/32-28 L=8.0		*		4.00
37	B2502372000	CAM SHAFT BUSHING, RIGHT				1.00
38	SS8151150SP	SCREW 15/64-28 L=10.5				2.00
39	B2505373000	CROSSWISE FEED CAM				1.00
40	SS8681412TP	SCREW 9/32-28 L=13.5				5.00
41	B2506373A00	LENGTHWISE FEED CAM				1.00
42	B2503372000	CAM SHAFT BUSHING, LEFT				1.00
43	B2523373N00	HINGE SCREW				1.00
44	B2522373N00	FEED PLATE				1.00

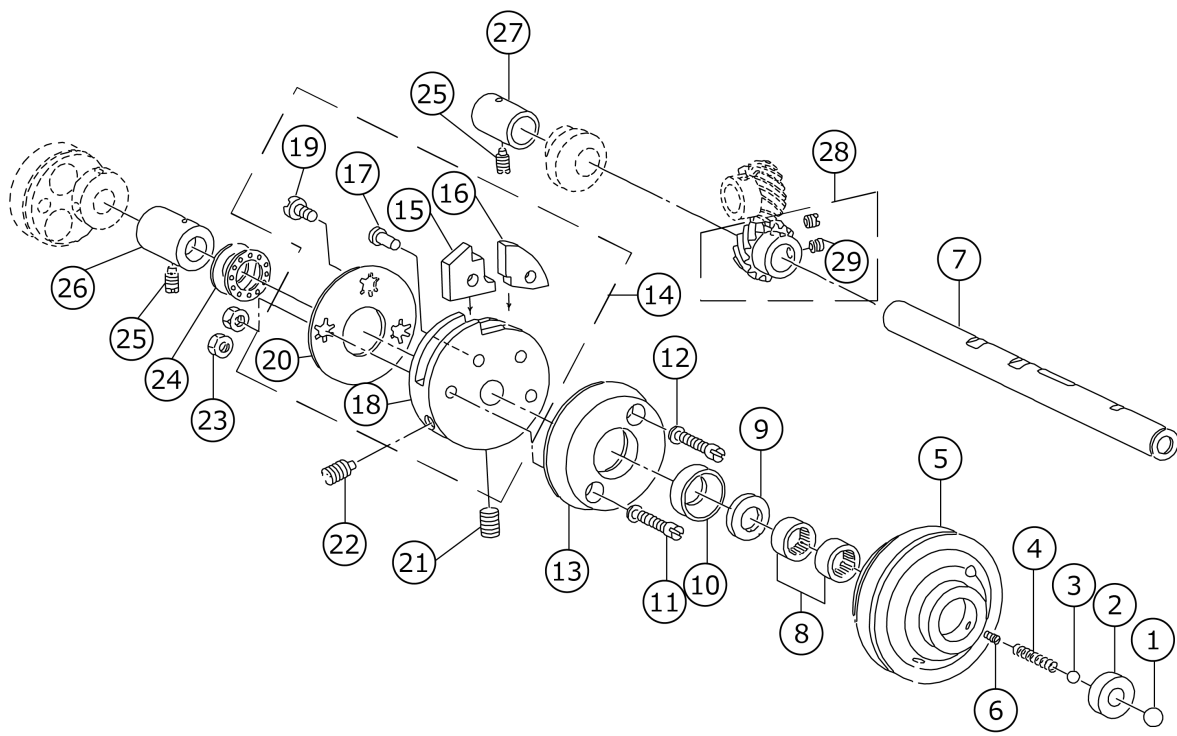
# BUTTON CLAMP LIFTER & THREAD TRIMMER COMPONENTS



No.	品番	品名	備考	子部品	消耗品	個数
1	B4412373N00	LIFTING LEVER				1.00
2	B1407372000	BUSHING				1.00
3	B1408373N00	NEEDLE BAR LEVER				1.00
4	B4419372000	NIPPER BAR ACTUATING LEVER SPR				1.00
5	B4418372000	WASHER				1.00
6	SD0641322TP	HINGE SCREW D=6.35 H=13.2				1.00
7	B4411373000	BUTTON CLAMP LIFTING LINK				1.00
8	B4410372000	SLIDING ROLLER				1.00
9	SS8660612TP	SCREW 1/4-40 L=6				1.00
10	B4405372000	ECCENTRIC CAM				1.00
11	SS8660612TP	SCREW 1/4-40 L=6				2.00
12	SS9151160CP	SCREW 15/64-28 L=10.5				1.00
13	B4401373N00	BUTTON CLAMP FORKED ROD				1.00
14	B4402373N00	LIFTING HOOK				1.00
15	SD0640271TP	HINGE SCREW				2.00
16	WP0451026SH	WASHER				1.00
17	SD0500721SP	HINGE SCREW D= 5 H= 7.2				1.00
18	B4403373N00	LIFTING HOOK SPRING				1.00
19	B1506352000	TENSION SPRING RACK B				1.00
20	NS6120310SP	NUT 3/16-28				1.00
21	CS0950816SH	THRUST COLLAR D=9.5 W=8				2.00
22	SS8110410TP	SCREW 11/64-40 L= 3.5				4.00
23	B4404372000A	LEVER SHAFT				1.00
24	SS8151150SP	SCREW 15/64-28 L=10.5				2.00
25	B4408372000	LIFTING LINK CONNECTING LINK				1.00
26	B4406372000B	LIFTING LINK CONNECTING LINK				1.00
27	SS6121610TP	SCREW 3/16-28 L=15.5				1.00
28	SD0640471SP	HINGE SCREW D= 6.35 H= 4.7				1.00
29	SD0640211SP	HINGE SCREW D= 6.35 H= 2.1				1.00
30	WP0704516SP	WASHER 7X20X4.5	SELECTIVE PART			1.00
31	WP0703516SP	WASHER 7X20X3.5	SELECTIVE PART			1.00
32	WP0704016SP	WASHER 7X20X4	SELECTIVE PART			1.00
33	WP0751576SD	WASHER 7.5X19X1.5	SELECTIVE PART			2.00
34	WP0851846SC	WASHER 8.5X22.0X1.8	SELECTIVE PART			2.00
35	B4420373000	CUSHION				2.00
36	WP0751576SD	WASHER 7.5X19X1.5				1.00
37	MAZ08826000	SPRING				1.00
38	B4416373000	SPRING GUIDE SHAFT				1.00
39	SS7111410TP	SCREW 11/64-40 L=14				2.00
40	SD0640323TP	HINGE SCREW D= 6.35 H= 3.2				1.00
41	B2401373N00	THREAD TRIMMING LINK				1.00
42	B2412373N00	CONTROL PLATE				1.00
43	NS6620310SP	NUT 3/16-32				1.00
44	SD0790601SP	HINGE SCREW D=7.94 H=6				1.00
45	WP0621016SD	WASHER 6.2X13X1				2.00
46	SS7151210SP	SCREW 15/64-28 L=12				2.00
47	SD0640323TP	HINGE SCREW D= 6.35 H= 3.2				1.00
48	SD0630301SP	HINGE SCREW D=6.35 H=3				1.00
49	B2403373N00	CONNECTING PLATE, REAR				1.00
50	B2402373N00	THREAD TRIMMING LEVER				1.00

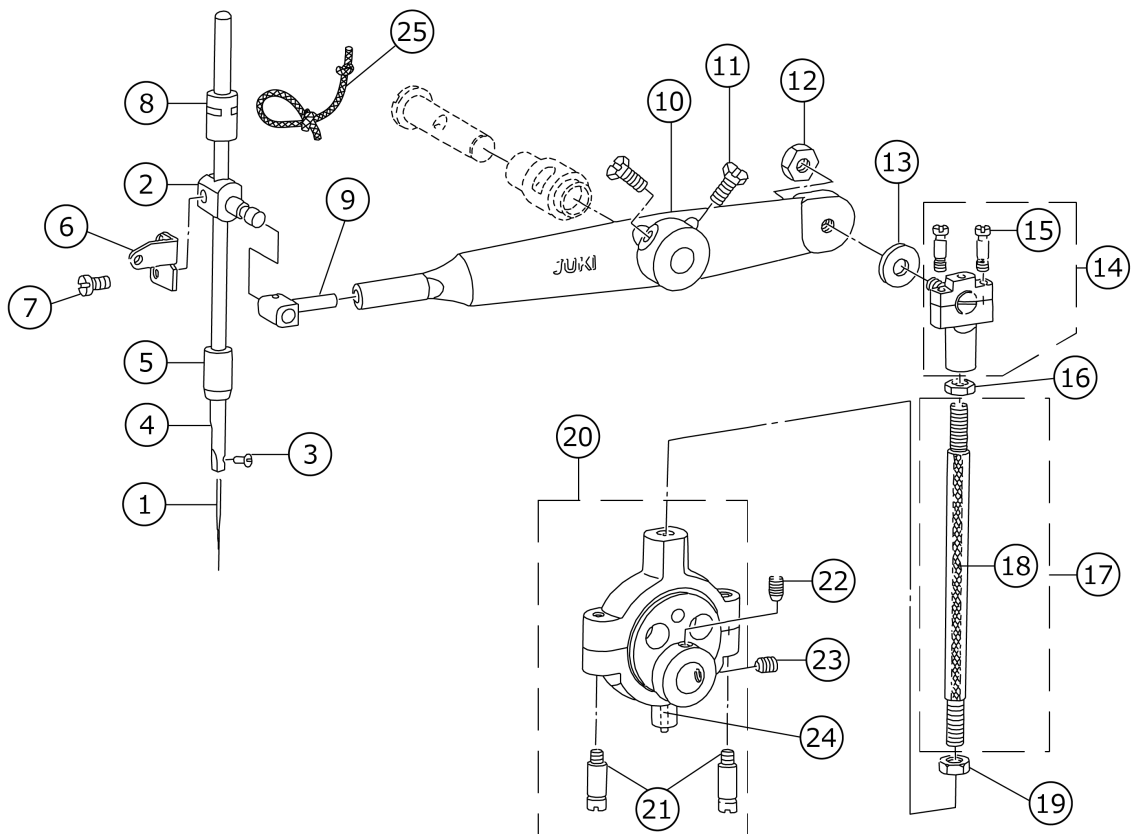
51	NS6620310SP	NUT 3/16-32				1.00
52	B2413373N00	CONNECTING METAL				1.00
53	SD0630272SP	HINGE SCREW				1.00
54	B2404373N00	CONNECTING PLATE, FRONT				1.00
55	WS0631510KP	SPRING WASHER				2.00
56	NS6150310SP	NUT 15/64-28				2.00
57	WP0612066SP	WASHER 6.1X11X2				1.00
58	B2405373N00	THREAD TRIMMING LEVER BASE				1.00
59	NS6150310SP	NUT 15/64-28				1.00

# DRIVE SHAFT COMPONENTS



No.	品番	品名	備考	子部品	消耗品	個数
1	B1203372000	BALL LARGE				1.00
2	B1204373N00	PULLY INSERT				1.00
3	B1246372000	BALL SMALL				1.00
4	B1205372000	SPRING				1.00
5	B1202372000	NEEDLE DRIVING PULLEY				1.00
6	SS8110750SP	SCREW 11/64-40 L= 6.5				1.00
7	B1201373000	NEEDLE DRIVING PULLEY SHAFT				1.00
8	B1243372000	NEEDLE BEARING				2.00
9	B1206372000	GREASE RETAINING WICK				1.00
10	B1207372000	RETAINING WASHER				1.00
11	SS6152440SP	SCREW 15/64-28 L=23.5				2.00
12	WP0621026SP	WASHER 6.2X9.5X1				2.00
13	B1208372000	NEEDLE DRIVING PULLEY CLUTCH D				1.00
14	B1210373NA0	CROSSING DISC ASM.				1.00
15	B1211372000	STOP MOTION DISC PAWL (A)		*		1.00
16	B1212372000	STOP MOTION DISC LATCH (B)		*		1.00
17	B1213373N00	CROSSING DISC PAWL SHAFT		*		2.00
18	B1210373N00	CROSSING DISC		*		1.00
19	SS5150510SP	SCREW 15/64-28 L=5		*		1.00
20	B1214373N00	CROSSING DISC WASHER		*		1.00
21	SS8701042TP	SCREW 5/16-24 L=10.0				1.00
22	SS8701782TP	SCREW 5/16-24 L=17.0				1.00
23	NS6150430SP	NUT 15/64-28				2.00
24	B1215372B00	THRUST BALL BEARING				1.00
25	SS8151150SP	SCREW 15/64-28 L=10.5				2.00
26	B1216372000	PULLEY SHAFT BUSHING, RIGHT				1.00
27	B1218372000	PULLEY SHAFT BUSHING, LEFT				1.00
28	B12173720A0	DRIVING GEAR ASM.				1.00
29	SS8660612TP	SCREW 1/4-40 L=6		*		2.00

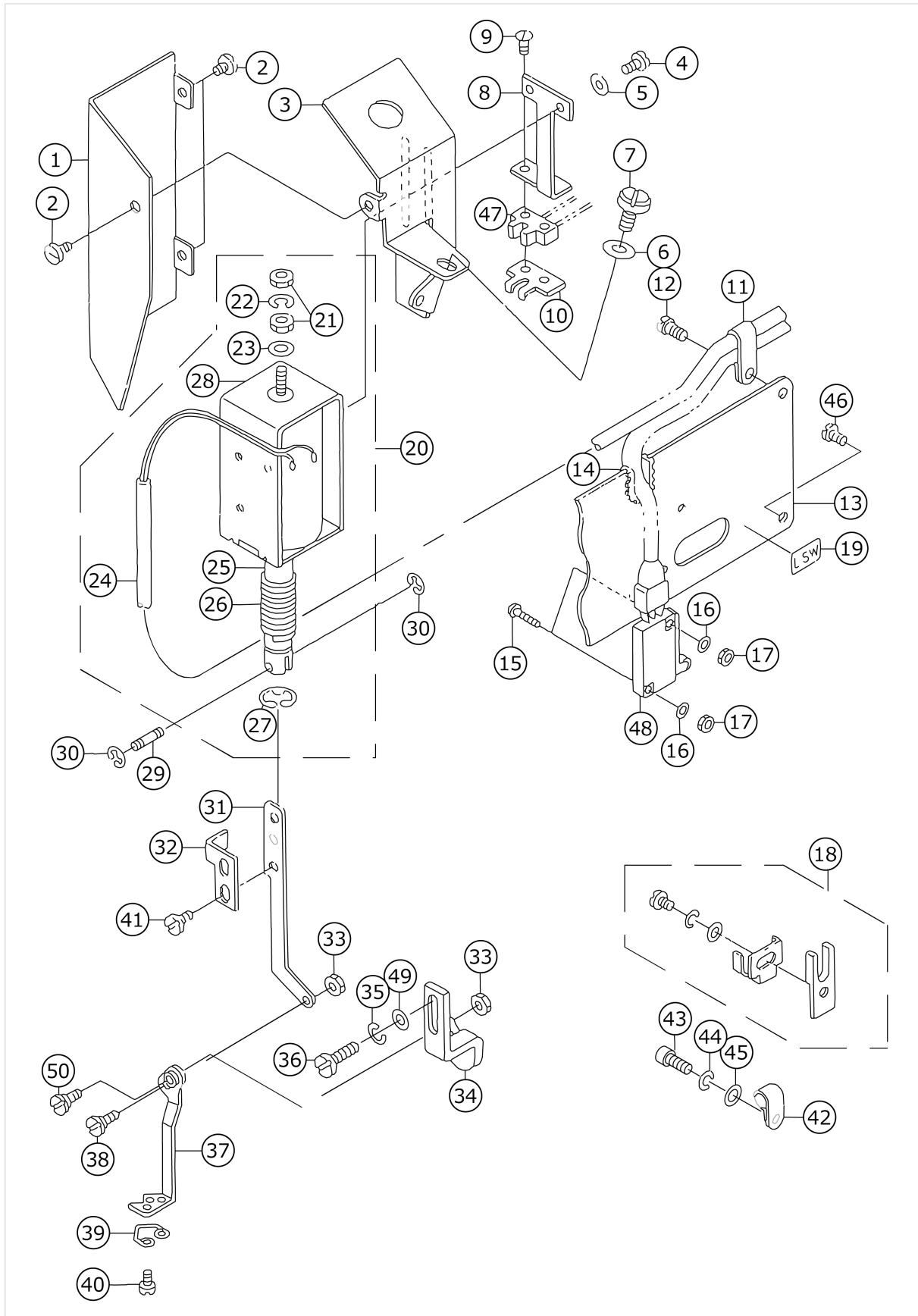
# NEEDLE BAR COMPONENTS



No.	品番	品名	備考	子部品	消耗品	個数
1	MTQ700B1600	NEEDLE TQX7 #16				1.00
2	B3113373N00	NEEDLE BAR BRACKET				1.00
3	SS7080510TP	SCREW 1/8-44 L=4.5				1.00
4	B1401372000A	NEEDLE BAR				1.00
5	B1403372000	NEEDLE BAR BUSHING, LOWER				1.00
6	B3112372000	NEEDLE BAR BALANCE				1.00
7	SS6091210TP	SCREW 9/64-40 L=12				1.00
8	B1402373N00	NEEDLE BAR BUSHING, UPPER				1.00
9	B1406372000	NEEDLE BAR BEARING BLOCK				1.00
10	B1409373N00	NEEDLE BAR DRIVING LEVER				1.00
11	SS9151630CP	SCREW 15/64-28 L=15.5				2.00
12	NS6150440SP	NUT 15/64-28				1.00
13	B1411372A00	WASHER				1.00
14	B14123720A0	BALL JOINT UPPER ASM.				1.00
15	B1413372000	CLAMP SCREW		*		2.00
16	NS6680410SP	NUT 9/32-28				1.00
17	B14143720A0	CONNECTING ROD ASM.				1.00
18	CQ200000000	OIL WICK		*		0.30
19	NS6680480SP	NUT 9/32-28				1.00
20	B1416373NA0	BALL JOINT, ECCENTRIC ASM.				1.00
21	B1418372000	CLAMP SCREW LOWER		*		2.00
22	SS8660612TP	SCREW 1/4-40 L=6				1.00
23	SS8660942TP	SCREW 1/4-40 L= 8.5				1.00
24	B1419372000	OIL WICK				0.10
25	CQ202000000	OIL WICK				0.20



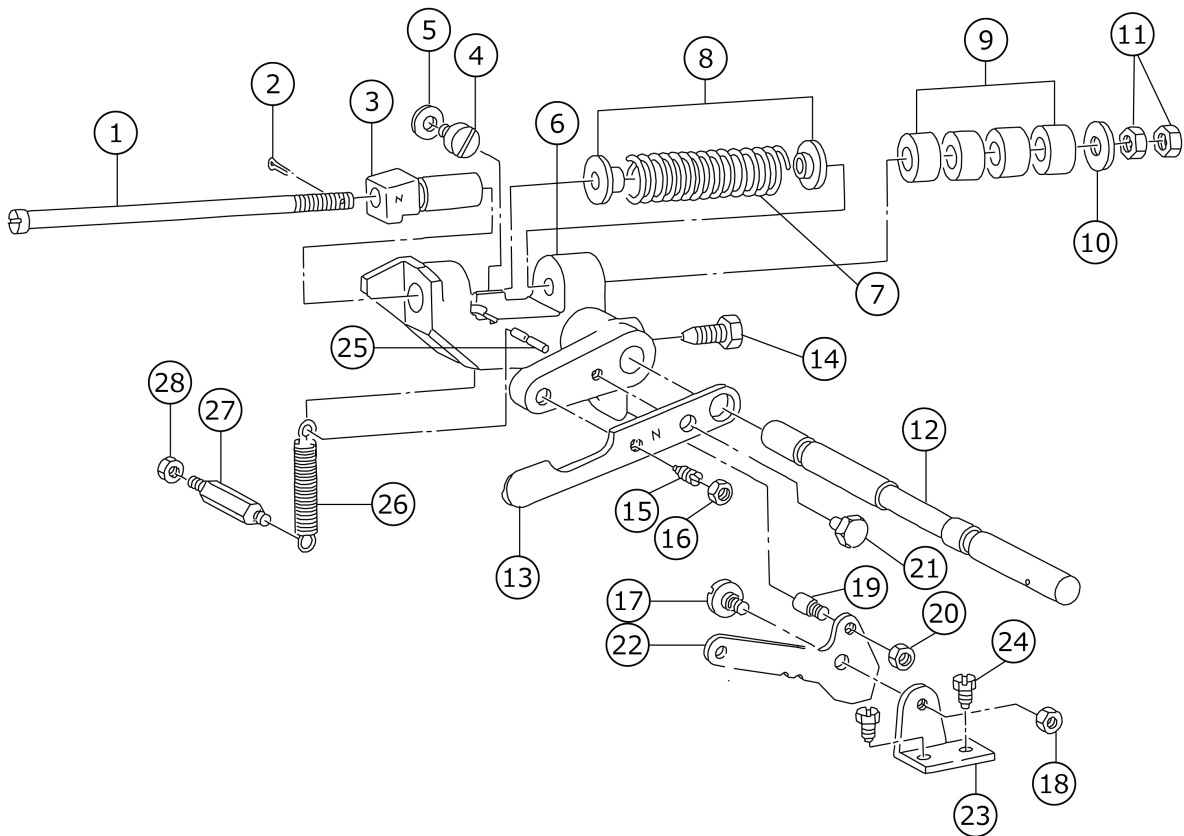
# WIPER MECHANISM COMPONENTS



No.	品番	品名	備考	子部品	消耗品	個数
1	MAZ02503000	WIPER MAGNET INSTALLING BASE C				1.00
2	SS7110340SP	SCREW 11/64-40 L= 3.2				3.00
3	MAZ02502000	WIPER MAGNET INSTALLING BASE				1.00
4	SM4040601SB	SCREW M4 L=6				2.00
5	WP0480856SP	WASHER 4.8X8.4X0.8				2.00
6	WP0621016SD	WASHER 6.2X13X1				1.00
7	SS7151210SP	SCREW 15/64-28 L=12				1.00
8	G5413161000	SENSOR BRACKET				1.00
9	SS7091110SP	SCREW 9/64-40 L=10.5				2.00
10	G5415161000	WIPER GUIDE				1.00
11	EA9500B0100	CABLE BAND				2.00
12	SS7111120SP	SCREW 11/64-40 L=10.5				1.00
13	MAO12502000	ARMSIDE COVER (LEFT)				1.00
14	GBR01651000	FREE BUSHING				1.00
15	SM4031601SB	SCREW M3X0.5 L=16				2.00
16	WP0330501SB	WASHER M3				2.00
17	NM6030001MB	NUT				2.00
18	MAO125030A0	L-SW DETECTING PLATE ASM.				1.00
19	MAO71012000	SWITCH NAME PLATE				1.00
20	MAZ089860A0	WIPER SOLENOID ASM.				1.00
21	NM6043212SA	NUT M4X0.7		*		2.00
22	WS0410002KS	SPRING WASHER M4		*		1.00
23	MAT80115T00	WASHER		*		1.00
24	HW5F18S1228	TWO-CORE CORD		*		1.10
25	D2118555B00A	PLUNGER		*		1.00
26	MAT80113T00	SPRING		*		1.00
27	RE0901110K0	SNAP RING 9		*		1.00
28	MAZ08801000	WIPER MAGNET				1.00
29	D2107555B00	WIPER LINK SHAFT, A				1.00
30	RE0250000K0	E-RING 2.5				2.00
31	MAZ02504000	WIPER LINK				1.00
32	G5414161000	WIPER SENSOR PLATE				1.00
33	NS6110310SP	NUT 11/64-40				2.00
34	MAZ02505000	WIPER BASE				1.00
35	WS0521010KN	SPRING WASHER 5.2X8.2X1				1.00
36	SS6121220TP	SCREW 3/16-28 L=11.5				1.00
37	MAZ088060A0	WIPER ASM.				1.00
38	SD0550211SP	HINGE SCREW				1.00
39	MAZ02507000A	WIPER THREAD GUARD SPRING				1.00
40	SS5060310SP	SCREW 3/32-56 L=2.8				2.00
41	SS7090520TP	SCREW 9/64-40 L= 4.5				2.00
42	HX00150000E	CORD PRESSER 3-POLE (220/240V)				2.00
43	SS6121212TP	SCREW 3/16-28 L=12.0				1.00
44	WS0510002KN	SPRING WASHER				1.00
45	WP0480856SP	WASHER 4.8X8.4X0.8				1.00
46	SS4110815SP	SCREW 11/64-40 L=8				6.00
47	MAZ089850A0	WIPER SENSOR SW ASM.				1.00
48	MAZ089810A0	MACHINE INTERCEPTION SW ASM.				1.00
49	WP0480856SP	WASHER 4.8X8.4X0.8				1.00
50	SD0460571CP	HINGE SCREW D=4.6 H=5.7				1.00

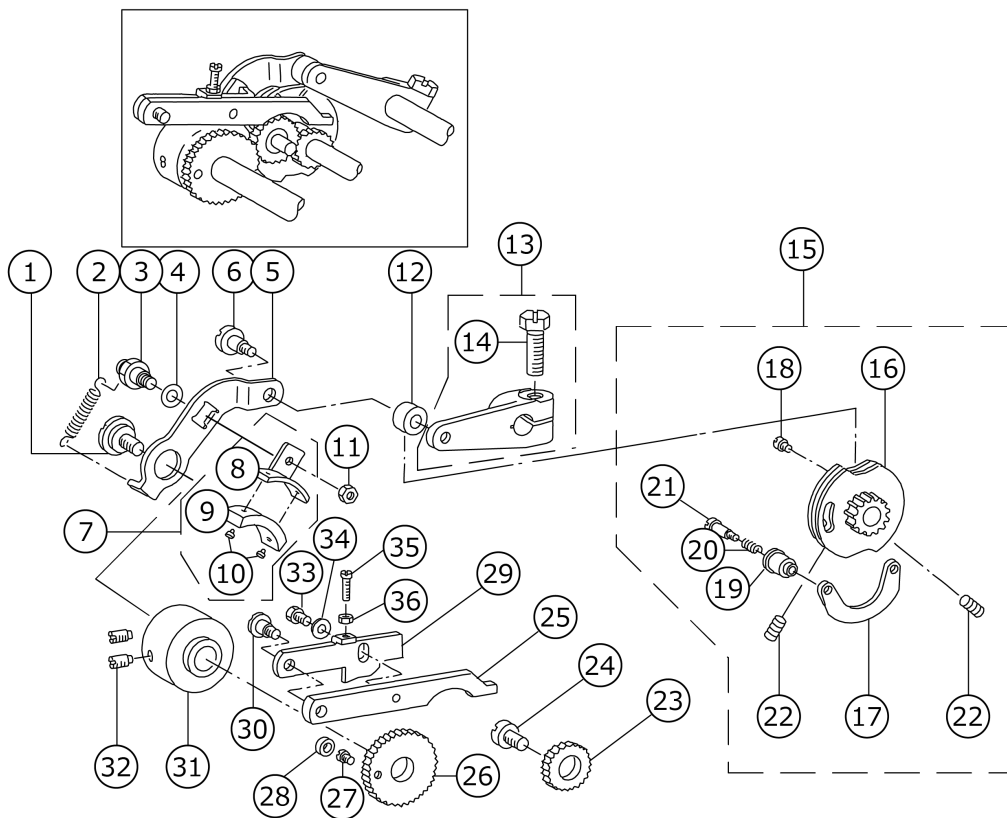


# STOP MOTION MECHANISM COMPONENTS



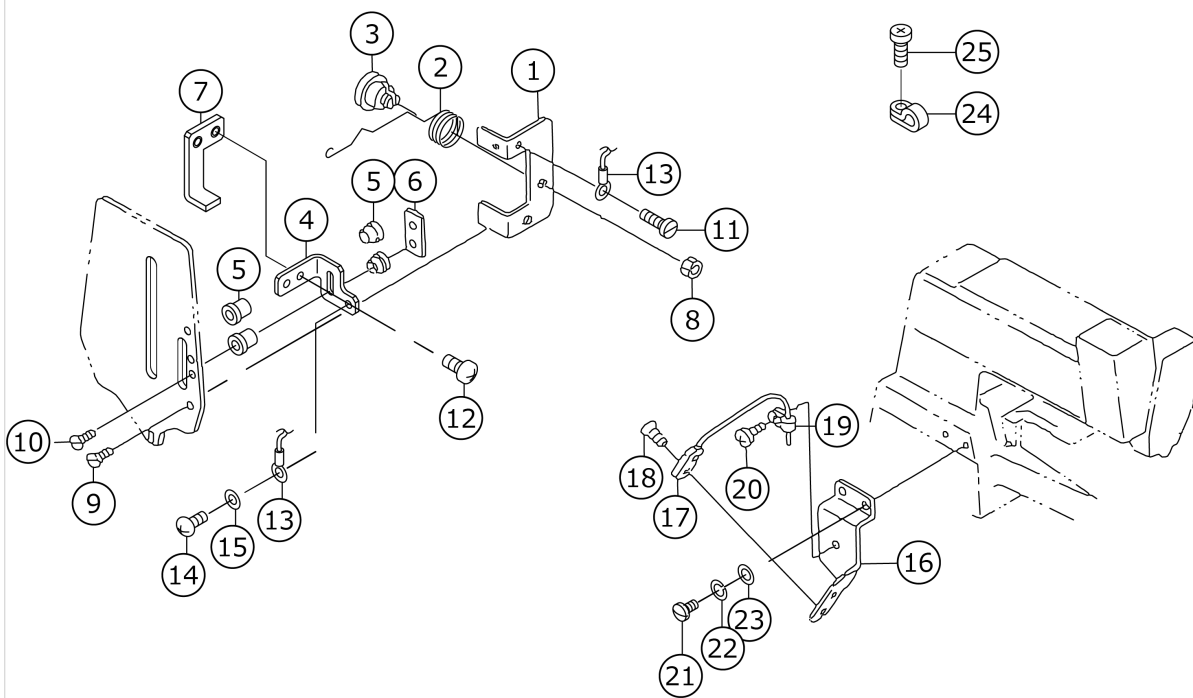
No.	品番	品名	備考	子部品	消耗品	個数
1	B2605372000	STOP MOTION PLUNGER ROD				1.00
2	PD02010000B	SPLIT PIN				1.00
3	B2604373N00	CROSSING HOOK				1.00
4	SS7151340TP	SCREW 15/64-28 L=12.5				1.00
5	WP0651056SD	WASHER 6.5X11X1				1.00
6	B2602372000	STOP MOTION PLUNGER LEVER				1.00
7	B2606373N00	STOP-MOTION SPRING				1.00
8	B2607280000	WASHER				2.00
9	B2608280000	RUBBER CUSHION				4.00
10	B8220804000	WASHER				1.00
11	NS6680410SP	NUT 9/32-28				2.00
12	B2601373N00	CROSSING SHAFT				1.00
13	B2611373N00	PRESSURE APPLYING LEVER				1.00
14	B2603372000	SCREW				1.00
15	SS8151570SP	SCREW 15/64-28 L=15.0				1.00
16	NS6150310SP	NUT 15/64-28				1.00
17	SD0680271SP	HINGE SCREW D= 6.80 H= 2.7				1.00
18	NS6150310SP	NUT 15/64-28				1.00
19	B2615372000	STOP SCREW				1.00
20	NS6150310SP	NUT 15/64-28				1.00
21	SS9151160CP	SCREW 15/64-28 L=10.5				1.00
22	B2614372000	STOP MOTION TRIP LEVER				1.00
23	B2612372000	STOP MOTION TRIP LEVER BRACKET				1.00
24	SS9150860SP	SCREW 15/64-28 L=8				2.00
25	B2608372000	STOP MOTION LEVER SPRING PIN				1.00
26	B2609372000	STOP MOTION LEVER SPRING				1.00
27	B2610372000	SCREW STUD				1.00
28	NS6150310SP	NUT 15/64-28				1.00

# STITCH SELECTING PARTS COMPONENTS



No.	品番	品名	備考	子部品	消耗品	個数
1	SD1127321SP	HINGE SCREW D=12.70 H= 3.2				1.00
2	B2643372000	SPRING FOR FRICTION PLATE				1.00
3	B2638372000A	FRICTION PLATE ROTATING SHAFT				1.00
4	WP0850002SP	WASHER 8.5X18X1.6				1.00
5	B2636372000A	SPEED SLOWING LEVER				1.00
6	SD0791331SP	HINGE SCREW D= 7.94 H=13.3				1.00
7	B26393720A0	FRICTION PLATE HOLDER ASM.				1.00
8	B2639372000	FRICTION PLATE HOLDER		*		1.00
9	B2640372000	SPEED SLOWING FRICTION PLATE		*		1.00
10	B3211232000	POSITIONING PIN		*		2.00
11	NS6110310SP	NUT 11/64-40				1.00
12	B2619372000	STOP MOTION TRIPPING LEVER CAM				1.00
13	B26183720A0A	STOP MOTION TRIPPING LEVER ASM				1.00
14	SS9202443CP	SCREW 5/16-18 L=24		*		1.00
15	B2621373NB0	STITCH ADJUSTING CAM				1.00
16	B2621373NA0	STITCH ADJUSTING CAM ASM.		*		1.00
17	B2623372000	STOP MOTION CAM SHOE		*		1.00
18	B2624372000	SCREW FOR STOP MOTION CAM SHOE		*		1.00
19	B2625372000	STOP MOTION CAM KNOB		*		1.00
20	B2626372000	SPRING		*		1.00
21	SD0481451SP	HINGE SCREW D= 4.80 H=14.5		*		1.00
22	SS8150912TH	SCREW 15/64-28 L=9		*		2.00
23	B2629372000	STITCH SELECTING SPUR GEAR, MI				1.00
24	B2628372000	SCREW STUD				1.00
25	B2633373N00	STITCH SELECTING LEVER, LARGE				1.00
26	B2630372000A	GEAR,LARGE				1.00
27	B2631372000	SCREW				1.00
28	B2632372000	ROLL				1.00
29	B2634372000	STITCH SELECTING LATCH				1.00
30	SD0640961SP	HINGE SCREW D= 6.35 H= 9.6				1.00
31	B2635372SA0	FRICTION WHEEL ASM.				1.00
32	SM8061002TP	SCREW M6 L=10				2.00
33	SS4110915SP	SCREW 11/64-40 L=9				1.00
34	WP0501016SD	WASHER 5X10.5X1				1.00
35	SS6081210SP	SCREW 1/8-44 L=12				1.00
36	NS6080210SP	NUT 1/8-44				1.00

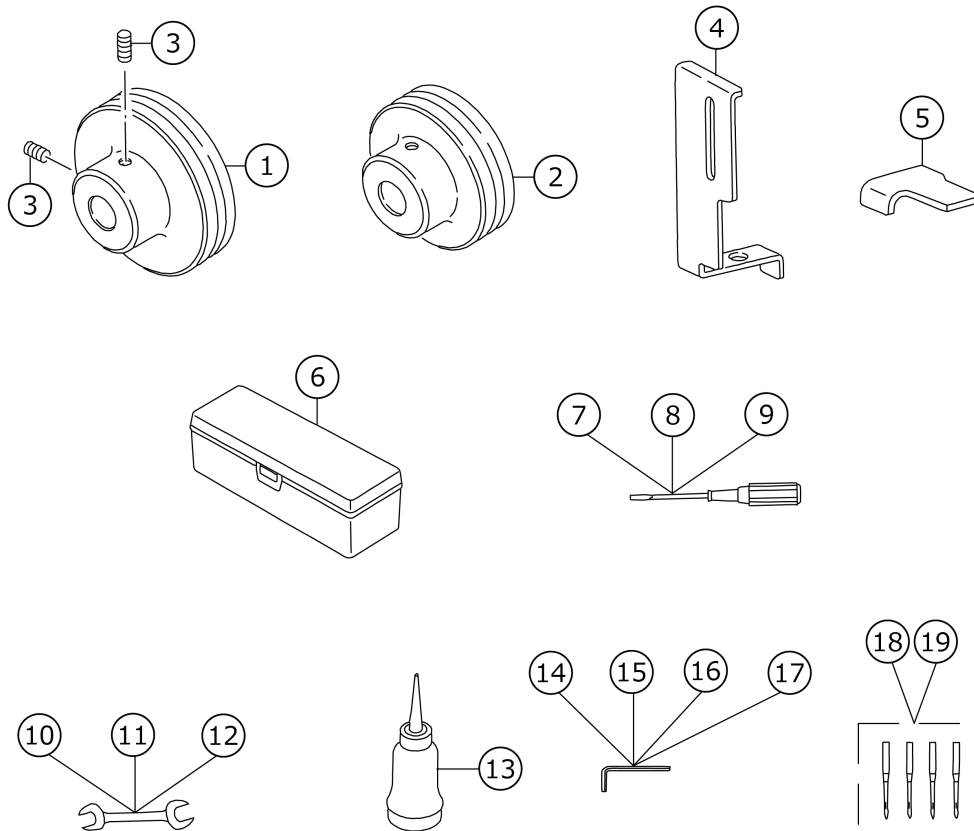
# SENSOR COMPONENTS





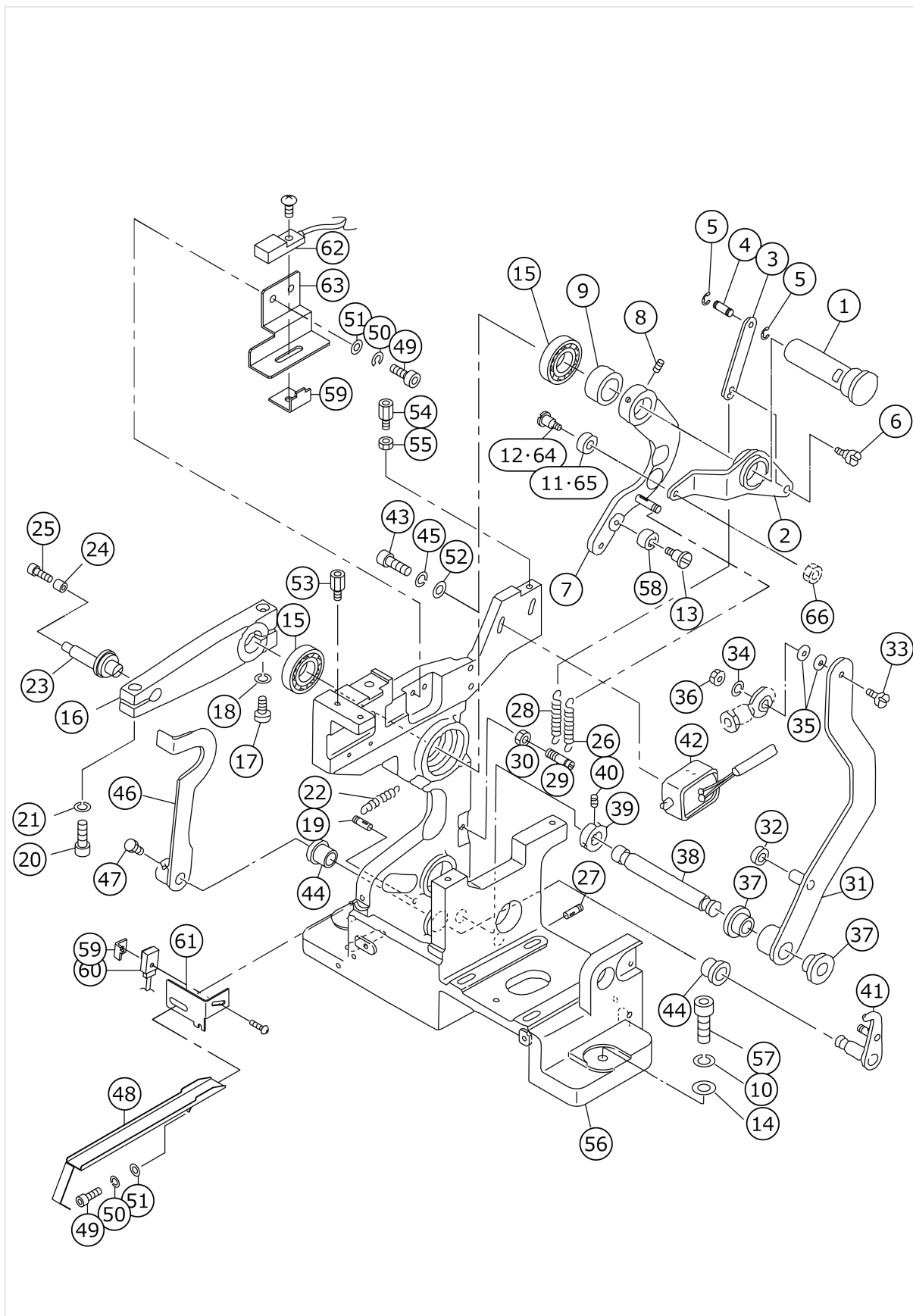
No.	品番	品名	備考	子部品	消耗品	個数
1	MAZ08941000	SENSOR SUPPORT PLATE				1.00
2	MAZ08943000A	SENSOR SPRING				1.00
3	MAZ08942000	SCREW				1.00
4	MAZ08944000	ELECTRODE A				1.00
5	G5313162000	FRICTION PLATE				4.00
6	G5314162000	INSTALLING PLATE				1.00
7	MAZ08945000	ELECTRODE B				1.00
8	NS6110350SP	NUT 11/64-40				1.00
9	SS2090550TP	SCREW 9/64-40 L=5				2.00
10	SS1061010SP	SCREW 3/32-56 L=10				2.00
11	SS6090420SP	SCREW 9/64-40 L= 4.0				1.00
12	SL4030681SC	SCREW M3 L=6				2.00
13	MAZ089840A0	SENSOR SWICH ASM.				1.00
14	SM4030401SC	SCREW M3X0.5 L=4				1.00
15	WS0310002KN	SPRING WASHER M3				1.00
16	G5317162000	SENSOR INSTALLING PLATE				1.00
17	MAZ089830A0	UPPER POSITION SENSOR SW ASM.				1.00
18	SM1020801SD	SCREW				1.00
19	HX001230000	CABLE CLIP				1.00
20	SM0040601SA	SCREW				1.00
21	SS7110840SP	SCREW 11/64-40 L=7.8				2.00
22	WS0510002KN	SPRING WASHER				2.00
23	WP0480856SP	WASHER 4.8X8.4X0.8				2.00
24	HX00150000A	CABLE CLAMP				1.00
25	SM0040601SA	SCREW				1.00

# ACCESSORISE COMPONENTS



No.	品番	品名	備考	子部品	消耗品	個数
1	B7101373N00	MOTOR PULLY (50HZ 1500SPM)	FOR 50HZ			1.00
2	B7102373N00	MOTOR PULLY (60HZ 1500SPM)	FOR 60HZ			1.00
3	SS8151150SP	SCREW 15/64-28 L=10.5				2.00
4	B1421372000	NEEDLE BAR GUARD				1.00
5	B2414373000	GAUGE				1.00
6	B9101552000	ACCESSORY BOX				1.00
7	B9109555000	SCREW DRIVER, LARGE				1.00
8	B9110012000	SCREW DRIVER, MIDDLE				1.00
9	B9111012000	SCREW DRIVER, SMALL				1.00
10	26034702	WRENCH				1.00
11	B9113012000	WRENCH (9X10)				1.00
12	B9143372000	WRENCH (7.1 X 8.1)				1.00
13	B91210120A0	OILER ASM.				1.00
14	B9140372000	HEXAGONAL WRENCH, SMALL				1.00
15	B9141372000	HEXAGONAL WRENCH, LARGE				1.00
16	B9142372000	HEXAGONAL WRENCH (7.1X8.1)				1.00
17	GCT02905000	SPANNER				1.00
18	MTQ700B1604	NEEDLE TQX7 #16-4				1.00
19	MC4742J1005	NEEDLE BAR 2091 100-5	SELECTIVE PART			1.00

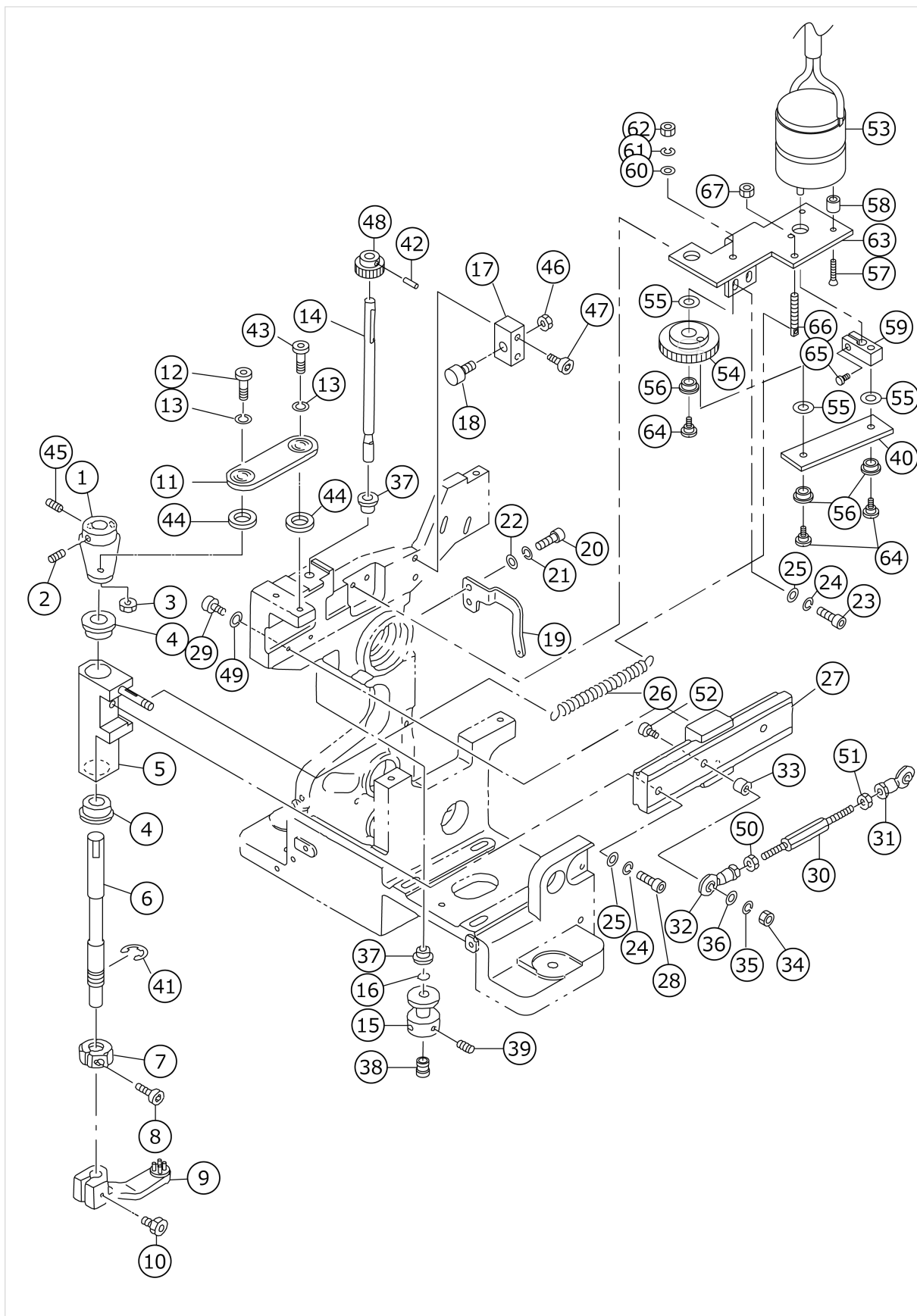
# FINE POSITION OF BUTTONS COMPONENTS (1)



No.	品番	品名	備考	子部品	消耗品	個数
1	16552507	ARM SHAFT				1.00
2	18219709	RUBBING UP-AND-DOWN LEVER				1.00
3	18218206	RUBBING UP-AND-DOWN LINK				1.00
4	16557209	PIN				1.00
5	RE0200000K0	E-RING				2.00
6	SD0600341TP	HINGE SCREW D=6.0 H=3.4				1.00
7	18218453	VERTICAL LEVER ASM.				1.00
8	SM8050602TP	SCREW M5 L=6				2.00
9	16552606	THRUST COLLAR				1.00
10	WS0610002KN	SPRING WASHER 6.1X12.2X1.5				3.00
11	18219808	RUBBING ROLLER	ADDITION FROM '91. 9			1.00
12	SD0600401TP	HINGE SCREW D= 6 H= 4	ADDITION FROM '91. 9			1.00
13	SD0601021SP	HINGE SCREW D=6 H=10.2				1.00
14	16559601	WASHER				3.00
15	SB115000400	RADIAL BEARING				2.00
16	16554107	DRIVING ARM				1.00
17	SM6051552TP	SCREW M5 L=15				1.00
18	WS0510002KN	SPRING WASHER				1.00
19	18219006	DW PIN 4*14				1.00
20	SM6052502TP	SCREW M5X0.8 L=25				1.00
21	WS0510002KN	SPRING WASHER				1.00
22	16554008	SPRING				1.00
23	18218107	CLOTH PRESSER LIFTING HOOK				1.00
24	GBR01160000	ROLLER				1.00
25	SM6030602TP	SCREW M3X0.5 L=6				1.00
26	16554008	SPRING				1.00
27	SM8050502TP	SCREW M5 L=5				1.00
28	16553208	SPRING				1.00
29	16553307	HOOK				1.00
30	NM6050001SC	NUT M5				1.00
31	16558900	TURNING LEVER				1.00
32	16556805	COLLAR				1.00
33	SM6042002TP	SCREW M4X0.7 L=20				1.00
34	WS0410002KN	SPRING WASHER				1.00
35	WP0430800SC	WASHER M4				2.00
36	NM6040001SC	NUT M4				1.00
37	16557506	LEVER SHAFT METAL				2.00
38	16554503	SHAFT				1.00
39	16559007	BASE A (BR-10)				1.00
40	SM8040602TP	SCREW M4X0.7 L=6				2.00
41	18217752	CLAMP RELEASE ASM.				1.00
42	GBR10852000	MAGNET				1.00
43	SM6031402TP	SCREW				2.00
44	16557605	SHAFT BUSHING				2.00
45	WS0310002KN	SPRING WASHER M3				2.00
46	16555401	CLAMP RELEASE ARM				1.00
47	SM6050802TP	SCREW M5X0.8 L=8				2.00
48	GBR11101000	SUPPORT PLATE				1.00

49	SM6041002TP	SCREW M4 L=10				3.00
50	WS0410002KN	SPRING WASHER				3.00
51	WP0430800SC	WASHER M4				3.00
52	WP0320500SC	WASHER M3				2.00
53	HX000560000	SPACER A				1.00
54	HX00056000C	SPACER				1.00
55	NM6030001SC	NUT M3				1.00
56	18218305	MAIN BODY FRAME				1.00
57	SM6063002TP	SCREW M6 L=30				3.00
58	16556706	BEARING				1.00
59	GBR11104000	SENSOR BRACKET				2.00
60	GBR118470A0	UPPER & LOWER SENSOR ASM.				1.00
61	GBR11102000	SENSOR BRACKET				1.00
62	GBR118420A0	SPINNER OSCILLATING ARM SW ASM				1.00
63	GBR11103000	SENSOR BRACKET				1.00
64	16553406	HINGE SCREW (2)	DELETION FROM '91. 9			1.00
65	16553505	ROLLER	DELETION FROM '91. 9			1.00
66	NM6040001SC	NUT M4	DELETION FROM '91. 9			1.00

# FINE POSITION OF BUTTONS COMPONENTS (2)

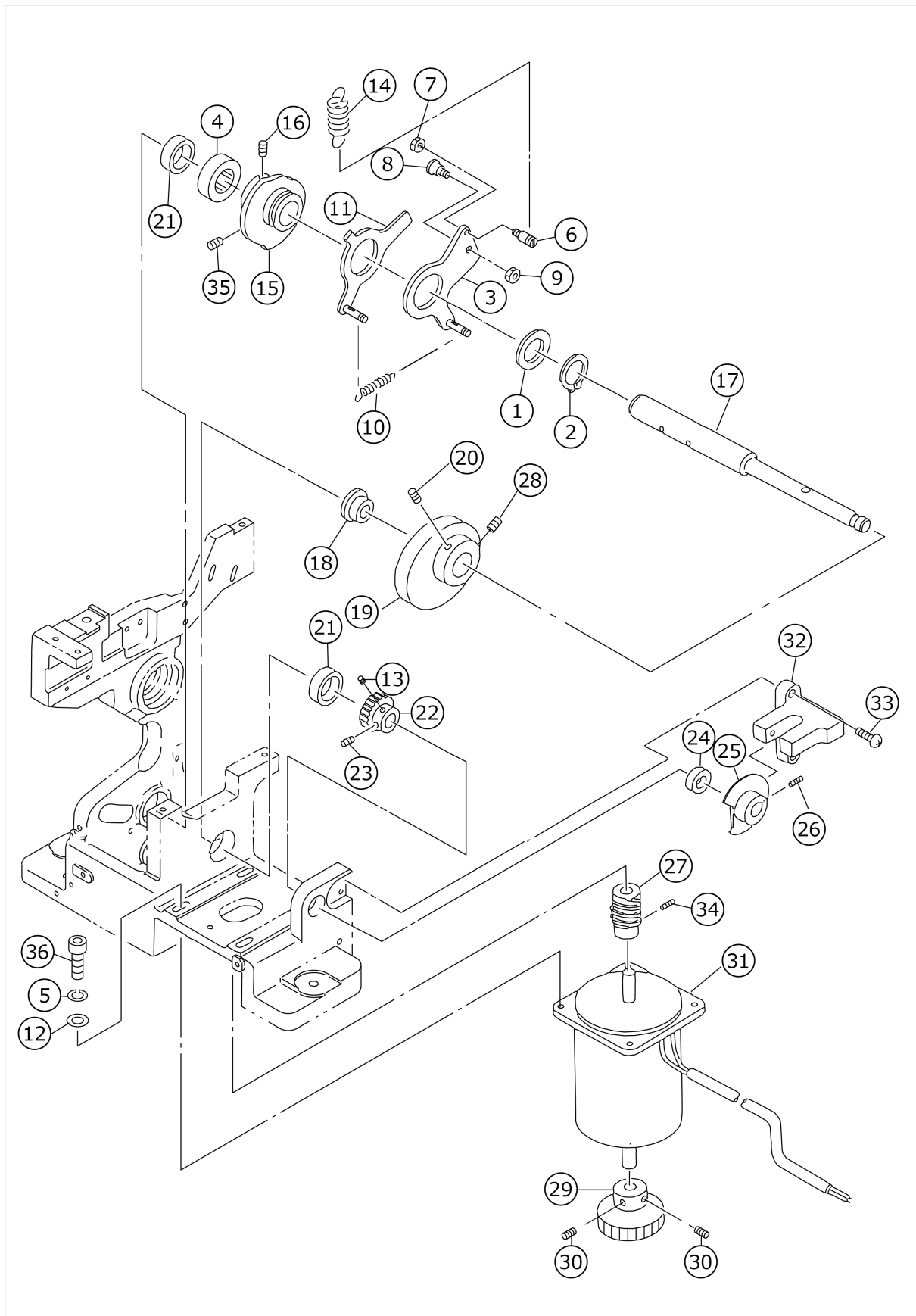


No.	品番	品名	備考	子部品	消耗品	個数
1	16550907	TURNING LEVER				1.00
2	SM8050602TP	SCREW M5 L=6				1.00
3	NM6050001SC	NUT M5				1.00
4	16557407	ARM SHAFT METAL				2.00
5	18217653	TURNING HEAD ASM.				1.00
6	18218503	TURNING SHAFT				1.00
7	16551400	STOPPER				1.00
8	SM6031202TP	SCREW M3X0.5 L=12				1.00
9	16557902	BUTTON CARRIER A				1.00
10	GBR11108000	CARRIER FIXED BOLT				1.00
11	16550758	TRANSFORMER CABLE ASM.				1.00
12	SM6051202TP	SCREW M5X0.8 L=12				1.00
13	WS0510002KS	SPRING WASHER M5				2.00
14	16552002	ROTATING ROD				1.00
15	16551905	HOOK				1.00
16	16558801	O-RING				1.00
17	18218800	STOPPER HOLDER				1.00
18	16552309	STOPPER				1.00
19	16552200	SPRING HOOK				1.00
20	SM6040802TR	SCREW M4X0.7 L=8				2.00
21	WS0410002KN	SPRING WASHER				2.00
22	WP0430800SC	WASHER M4				2.00
23	SM6041002TP	SCREW M4 L=10				2.00
24	WS0410002KN	SPRING WASHER				3.00
25	WP0430800SC	WASHER M4				3.00
26	16551806	SPRING				1.00
27	16556607	LM GUIDE				1.00
28	SM6041402TP	SCREW M4 L=14				1.00
29	SM6031402TP	SCREW				4.00
30	16550204	CONNECTING ROD				1.00
31	16556409	ROD END				1.00
32	16556300	ROD END				1.00
33	16550402	COLLAR B				1.00
34	NM6040001SC	NUT M4				1.00
35	WS0410002KN	SPRING WASHER				1.00
36	WP0430800SC	WASHER M4				1.00
37	16557308	METAL				2.00
38	18200501	WORK ATTACHMENT (SMALL)				1.00
39	SM8040602TP	SCREW M4X0.7 L=6				2.00
40	GBR11113000	LINK				1.00
41	RE0800000K0	E-SHAPED SNAP RING (8MM)				1.00
42	PH0300125S0	PIN				1.00
43	SM6051602TP	SCREW M5X0.8 L=16				1.00
44	WP0531001SF	WASHER M5				2.00
45	SM8050502TP	SCREW M5 L=5				1.00
46	NM6060001SC	NUT M6				1.00
47	SM6042002TP	SCREW M4X0.7 L=20				2.00
48	GBR11110000	PINION, A				1.00
49	WS0310002KN	SPRING WASHER M3				4.00
50	NM6040001SC	NUT M4				1.00



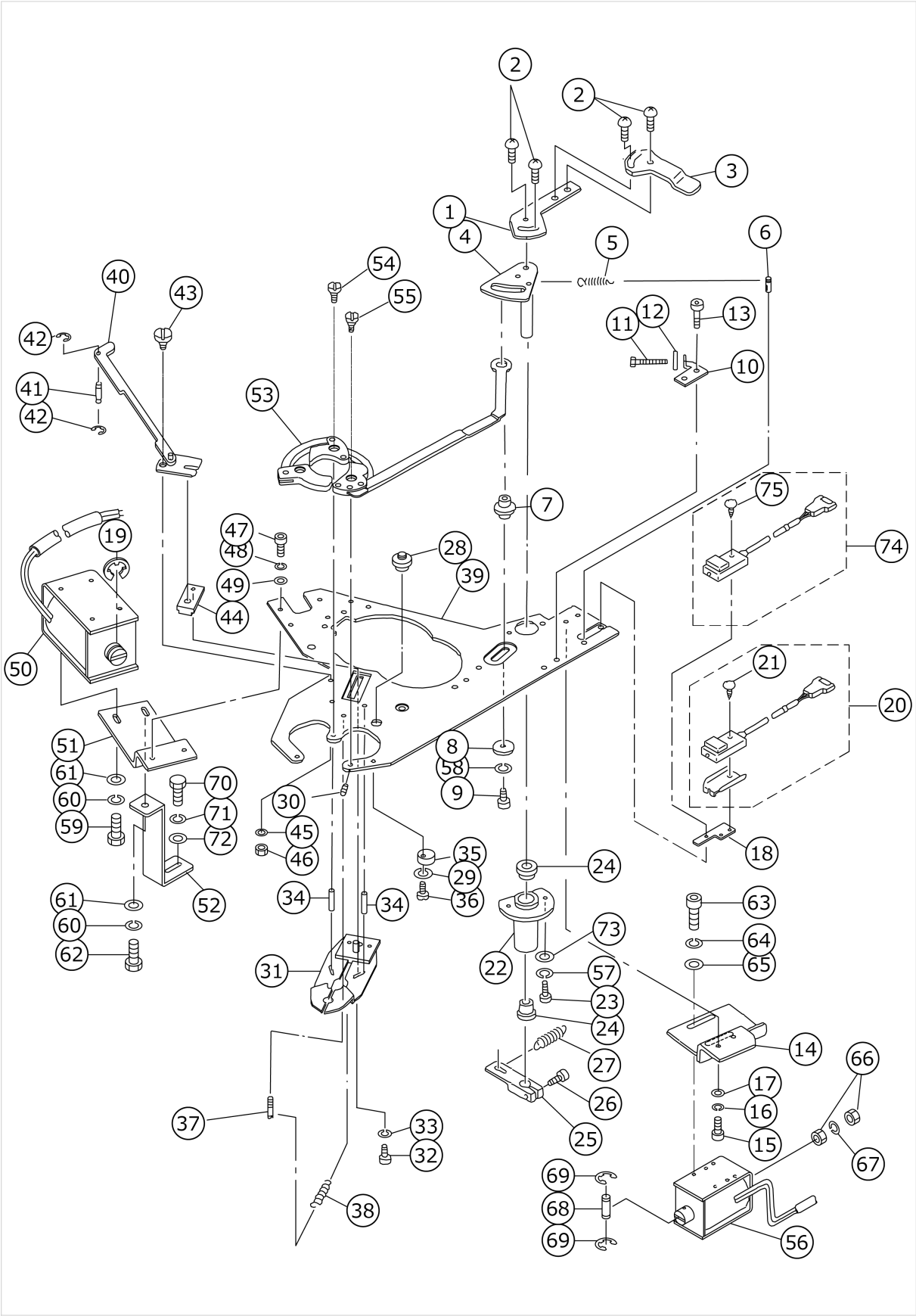
51	GBR01175000	ROD END NUT, LEFT				1.00
52	SM6042502TP	SCREW M4X0.7 L=25				1.00
53	GBR108550A0	DC MOTOR ASM.				1.00
54	GBR11111000	PINION, B				1.00
55	GBR111114000	WASHER				3.00
56	E5006171000	PS BEARING				3.00
57	SM1031401SC	SCREW M3X0.5 L=14				3.00
58	11110707	WIPER HINGE SCREW COLLAR				3.00
59	GBR11112000	DRIVING ARM				1.00
60	WP0430801SC	WASHER 4.3X9X0.8				1.00
61	WS0410002KN	SPRING WASHER				1.00
62	NS6110360SP	NUT				1.00
63	GBR11109000	BRACKET				1.00
64	SD0600651TP	HINGE SCREW				3.00
65	SM6030602TP	SCREW M3X0.5 L=6				1.00
66	B1649161000	TENSION SPRING ADJUSTING SCREW				1.00
67	NS6110360SP	NUT				1.00

# CAM COMPONENTS



No.	品番	品名	備考	子部品	消耗品	個数
1	GBR01120000	COLLAR				1.00
2	RC2500001KP	RETAINING RING 25				1.00
3	18217950	START TIMING CAM ASM.				1.00
4	16560203	CAM SHAFT COLLAR 2				1.00
5	WS0610002KN	SPRING WASHER 6.1X12.2X1.5				4.00
6	16562803	HOOK				1.00
7	NM6040001SC	NUT M4				1.00
8	16562902	HINGE SCREW				1.00
9	NM6050001SC	NUT M5				1.00
10	18212506	TENSION SPRING				1.00
11	18217851	CLOTH PRESSER HANGING CAM ASM.				1.00
12	WP0641600SC	WASHEW 6.4X12.5X1.6				4.00
13	SM8050602TP	SCREW M5 L=6				1.00
14	GBR01126000A	TENSION SPRING				1.00
15	16560401	CAM				1.00
16	SM8050612TP	SCREW M5X6				1.00
17	16560005	CAM SHAFT				1.00
18	16560104	CAM SHAFT COLLAR 1				1.00
19	16561607	SPINNER OSCILLATING ARM CAM				1.00
20	SM8050812TP	SCREW M5X8				1.00
21	GBR01168000	NEEDLE BEARING 3				2.00
22	16562001	WORM WHEEL				1.00
23	16562407	SCREW				1.00
24	16562308	NEEDLE BEARING				1.00
25	GBR11107000	SENSOR DOCK				1.00
26	SM8040602TP	SCREW M4X0.7 L=6				1.00
27	16562100	WORM GEAR				1.00
28	SM8050842TP	SETSCREW				1.00
29	G5418164000	SULLEY				1.00
30	SK3381301SC	WOOD SCREW				2.00
31	GBR108590A0	DC MOTOR ASM.				1.00
32	HD000360000	PHOTO MICRO SENSOR				1.00
33	SL4031081SC	SCREW M3 X 10				2.00
34	SM8040402TP	SCREW M4X0.7 L=4				2.00
35	SM8050842TP	SETSCREW				1.00
36	SM6062002TP	SCREW M6 L=20				4.00

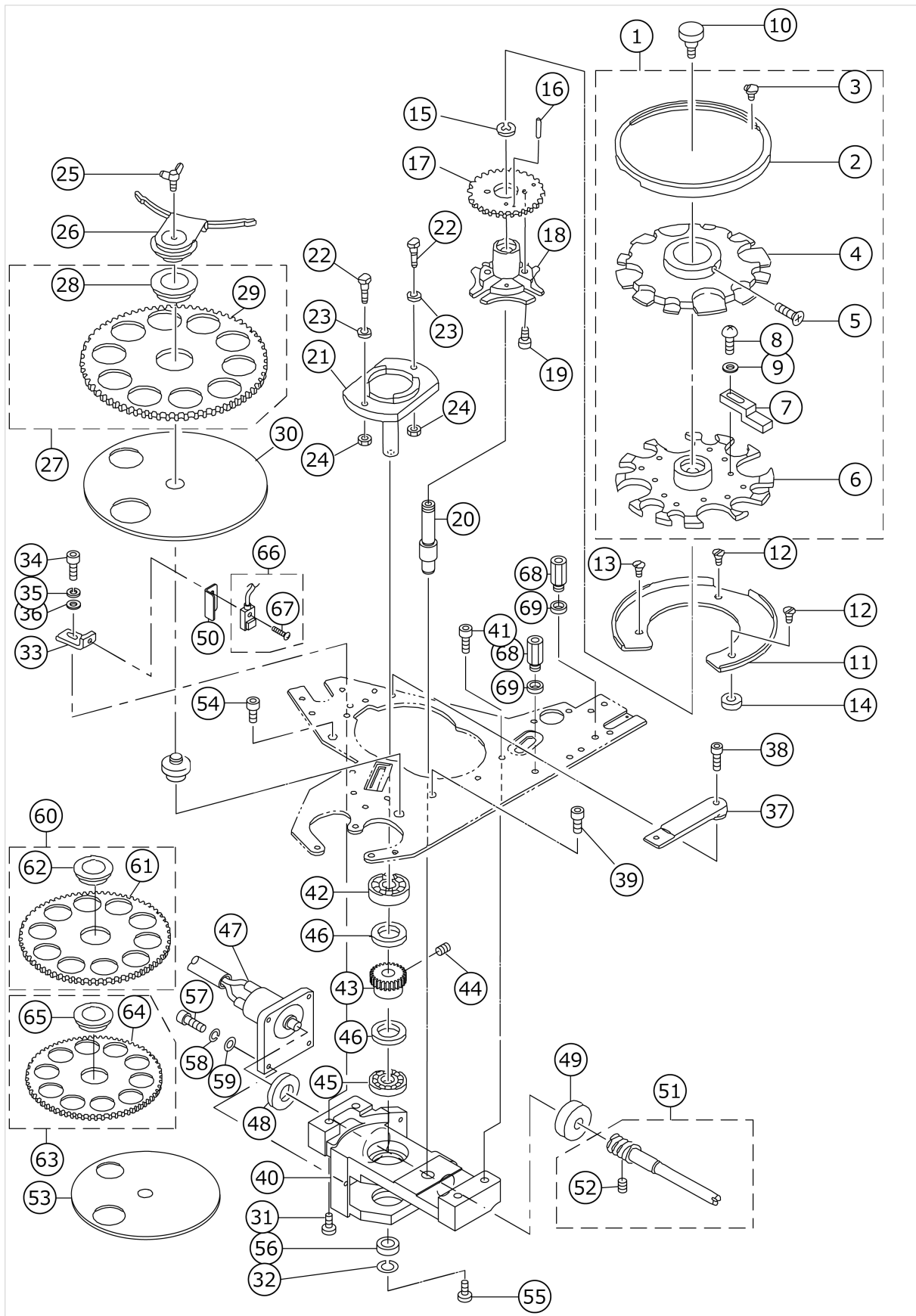
INDEX COMPONENTS (1)



No.	品番	品名	備考	子部品	消耗品	個数
1	16566507	CHECK DOG				1.00
2	SM0040601SC	SCREW M4X0.7 L=6				4.00
3	16574105	DOG				1.00
4	16566002	SPINNER CAM				1.00
5	16553208	SPRING				1.00
6	18218909	DW PIN 4X12				1.00
7	16565707	SHAFT (1)				1.00
8	B2107816000	WASHER				1.00
9	SM6041002TP	SCREW M4 L=10				1.00
10	16566606	STOPPER BKT				1.00
11	SM8042502TP	SCREW M4X0.7 L=25				1.00
12	NM6040001SC	NUT M4				1.00
13	SM6040802TR	SCREW M4X0.7 L=8				2.00
14	16567000	BRACKET (1)				1.00
15	SM6041002TP	SCREW M4 L=10				2.00
16	WS0410002KN	SPRING WASHER				2.00
17	WP0430800SC	WASHER M4				2.00
18	16574006	BRACKET				1.00
19	RE1200000K0	E-RING 12				1.00
20	GBR108430A0	RUB COMPLETION SWITCH ASM.				1.00
21	SM0861201SA	SCREW		*		1.00
22	16565905	CUPLING				1.00
23	SM6041002TP	SCREW M4 L=10				2.00
24	16572406	METAL				2.00
25	16566408	LINK LEVER				1.00
26	SM6041202TP	SCREW M4X0.7 L=12				1.00
27	18201608	SPRING, 2				1.00
28	18218008	SHAFT (2)				1.00
29	WP0430800SC	WASHER M4				1.00
30	SM8030402TP	SCREW M3X0.5 L=4				1.00
31	16567166	SHUTTER PLATE ASM.				1.00
32	SM6041202TP	SCREW M4X0.7 L=12				1.00
33	WS0410002KN	SPRING WASHER				1.00
34	18204107	PIN				2.00
35	18209502	ECCENTRIC STOPPER				1.00
36	SM6041202TP	SCREW M4X0.7 L=12				1.00
37	18219204	DW PIN 4X18				1.00
38	16554008	SPRING				1.00
39	GBR11117000	TOP PLATE				1.00
40	16567802	LINK PLATE				1.00
41	16572505	PIN				1.00
42	RE0250000K0	E-RING 2.5				2.00
43	16567901	HING SCREW				1.00
44	16573305	SLIDER BLOCK				1.00
45	WS0410002KN	SPRING WASHER				1.00
46	NM6040001SC	NUT M4				2.00
47	SM6041002TP	SCREW M4 L=10				2.00
48	WS0410002KN	SPRING WASHER				2.00
49	WP0430800SC	WASHER M4				2.00
50	GBR10853000	MAGNET				1.00

51	16568206	BRACKET (2)				1.00
52	16574204	SUPPORT PLATE				1.00
53	18202150	CHECK ASM., A				1.00
54	16565400	HING PIN (2)				2.00
55	16565509	HING PIN (1)				1.00
56	GBR10854000	MAGNET				1.00
57	WS0410002KN	SPRING WASHER				2.00
58	WS0410002KN	SPRING WASHER				1.00
59	SM6040802TP	SCREW M4X0.7 L=8				3.00
60	WS0410002KN	SPRING WASHER				4.00
61	WP0430800SC	WASHER M4				4.00
62	SM6041202TP	SCREW M4X0.7 L=12				1.00
63	SM6040802TP	SCREW M4X0.7 L=8				2.00
64	WS0410002KN	SPRING WASHER				2.00
65	WP0430800SC	WASHER M4				2.00
66	NM6040001SC	NUT M4				2.00
67	WS0410002KN	SPRING WASHER				1.00
68	16557209	PIN				1.00
69	RE0200000K0	E-RING				2.00
70	SM6061602TP	SCREW M6 L=16				1.00
71	WS0610002KN	SPRING WASHER 6.1X12.2X1.5				1.00
72	WP0641600SC	WASHEW 6.4X12.5X1.6				1.00
73	WP0430800SC	WASHER M4				2.00
74	GBR108440A0	BUTTON SENSOR SWITCH ASM.				1.00
75	SM0861201SA	SCREW		*		1.00

# INDEX COMPONENTS (2)

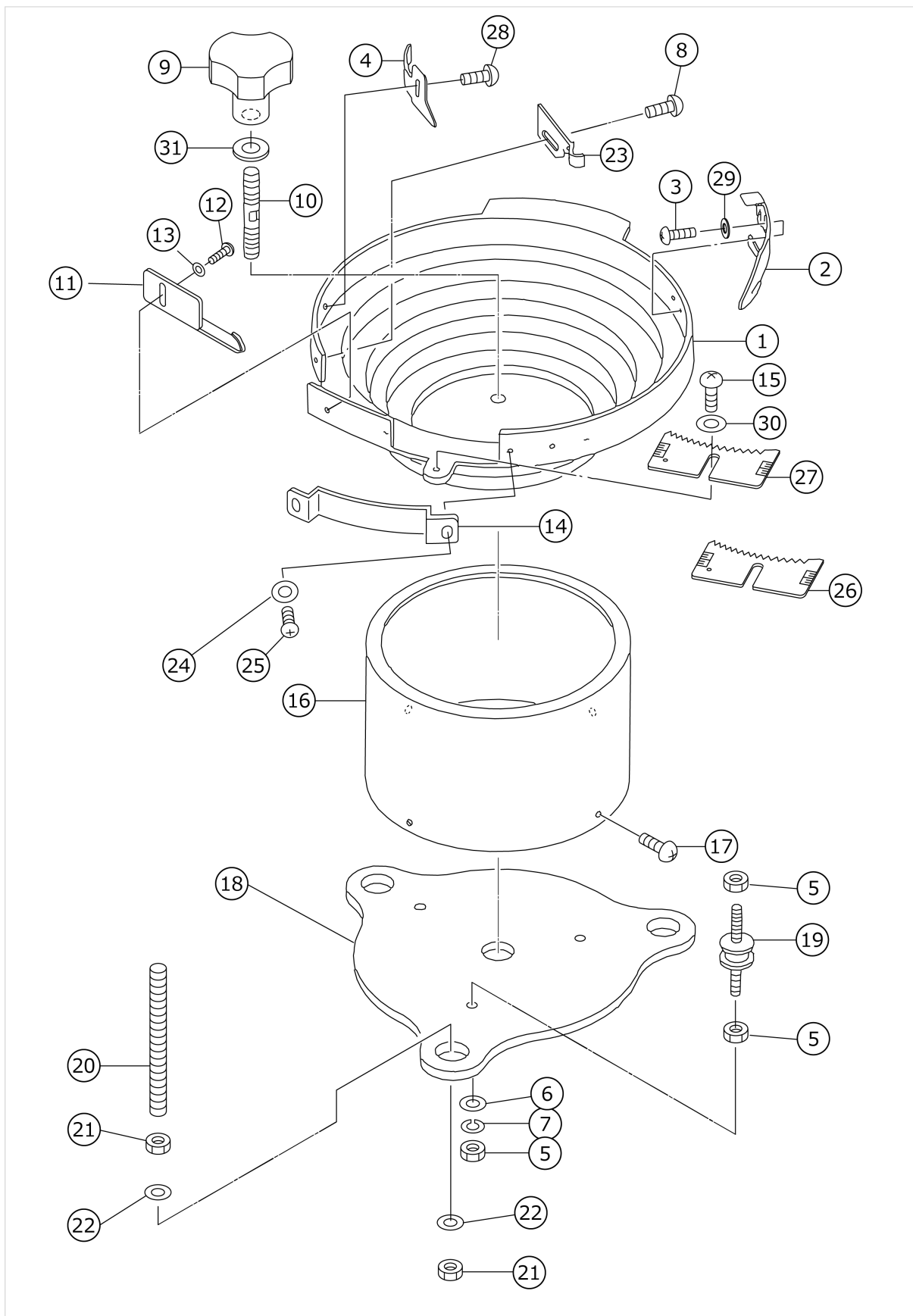


No.	品番	品名	備考	子部品	消耗品	個数
1	18201962	FEED ACROSS PLATE ASM. A				1.00
2	16573701	RING		*		1.00
3	SM0040601SC	SCREW M4X0.7 L=6		*		2.00
4	18203307	ADJUSTING PLATE		*		1.00
5	SL4030881SC	SCREW M3 L=8		*		1.00
6	18201905	FEED PLATE A		*		1.00
7	18202002	BUTTON ADJUST A		*		8.00
8	SM4860501SC	SCREW M 2.6 X 5		*		8.00
9	WP0280500SC	WASHER		*		8.00
10	16573800	SCREW				1.00
11	16569204	REST				1.00
12	SM1041201SC	SCREW M4 L=12				2.00
13	SM1040601SC	SCREW M4X0.7 L=6				1.00
14	16573008	COLLAR				2.00
15	16571903	CLIP				1.00
16	PH0300185S0	PIN				1.00
17	16569600	GEAR				1.00
18	16569501	GENEVA				1.00
19	SM6030802TP	SCREW M3X0.5 L=8				2.00
20	18219501	DIVIDING MAIN SHAFT				1.00
21	16570103	WHEEL				1.00
22	16570202	SCREW				2.00
23	16570301	COLLAR				2.00
24	NM6040001SC	NUT M4				2.00
25	18204503	WING BOLT				1.00
26	16568909	COVER CAP				1.00
27	18200352	FEED PLATE CIRCLE 16 ASM.				1.00
28	16572703	METAL		*		1.00
29	18200303	FEED PLATE 16		*		1.00
30	16568404	FERRULE DISC				1.00
31	SM6052002TP	SCREW M5 L=20				1.00
32	WS0410002KN	SPRING WASHER				1.00
33	16570707	SENSOR BRACKET				1.00
34	SM6040802TR	SCREW M4X0.7 L=8				1.00
35	WS0410002KN	SPRING WASHER				1.00
36	WP0430800SC	WASHER M4				1.00
37	16570905	STAND PLATE (1)				1.00
38	SM6041202TP	SCREW M4X0.7 L=12				1.00
39	SM6051202TP	SCREW M5X0.8 L=12				1.00
40	18219600	GENEVA HOUSE				1.00
41	SM6051602TP	SCREW M5X0.8 L=16				3.00
42	SB110000400	BALL BEARING				1.00
43	16571507	WORM WHEEL				1.00
44	SM8050842TP	SETSCREW				2.00
45	16571804	BEARING A				1.00
46	16573909	THRUST COLLAR				2.00
47	GBR108560A0	DC MOTOR ASM.				1.00
48	16570509	THRUST COLLAR				1.00
49	16571408	NEEDLE BEARING				1.00
50	18212902	SENSOR COVER				1.00



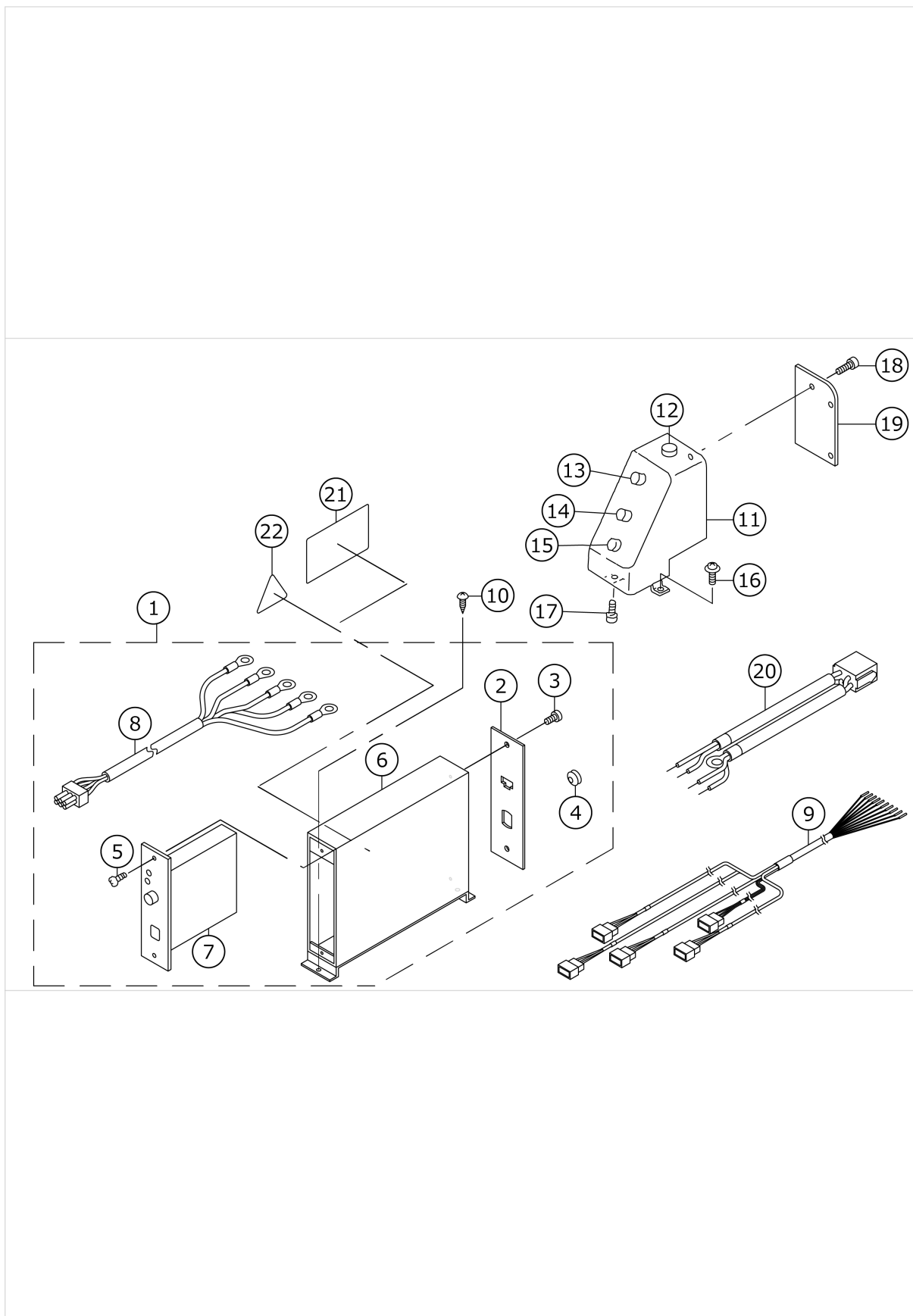
51	16570657	TURNING SHAFT ASM.				1.00
52	SM8040402TP	SCREW M4X0.7 L=4		*		2.00
53	18201103	HOLDING PLATE (SMALL)	OPTIONAL PART			1.00
54	SM6051202TP	SCREW M5X0.8 L=12				1.00
55	SM6041002TP	SCREW M4 L=10				1.00
56	B2107816000	WASHER				1.00
57	SM6030802TP	SCREW M3X0.5 L=8				4.00
58	WS0310002KN	SPRING WASHER M3				4.00
59	WP0320500SC	WASHER M3				4.00
60	16568651	FEED PLATE 22B ASM.	OPTIONAL PART			1.00
61	16568602	FEED PLATE 22B		*		1.00
62	16572703	METAL		*		1.00
63	18200956	FEED PLATE CIRCLE 13.5 ASM.	OPTIONAL PART			1.00
64	18200907	FEED PLATE 12.5		*		1.00
65	16572703	METAL		*		1.00
66	GBR108450A0	INDEX STARTING SWITCH ASM.				1.00
67	SM0861201SA	SCREW		*		1.00
68	HX003390000	STUD				2.00
69	B3052816000	WASHER				2.00

# FEEDER BOWL COMPONENTS



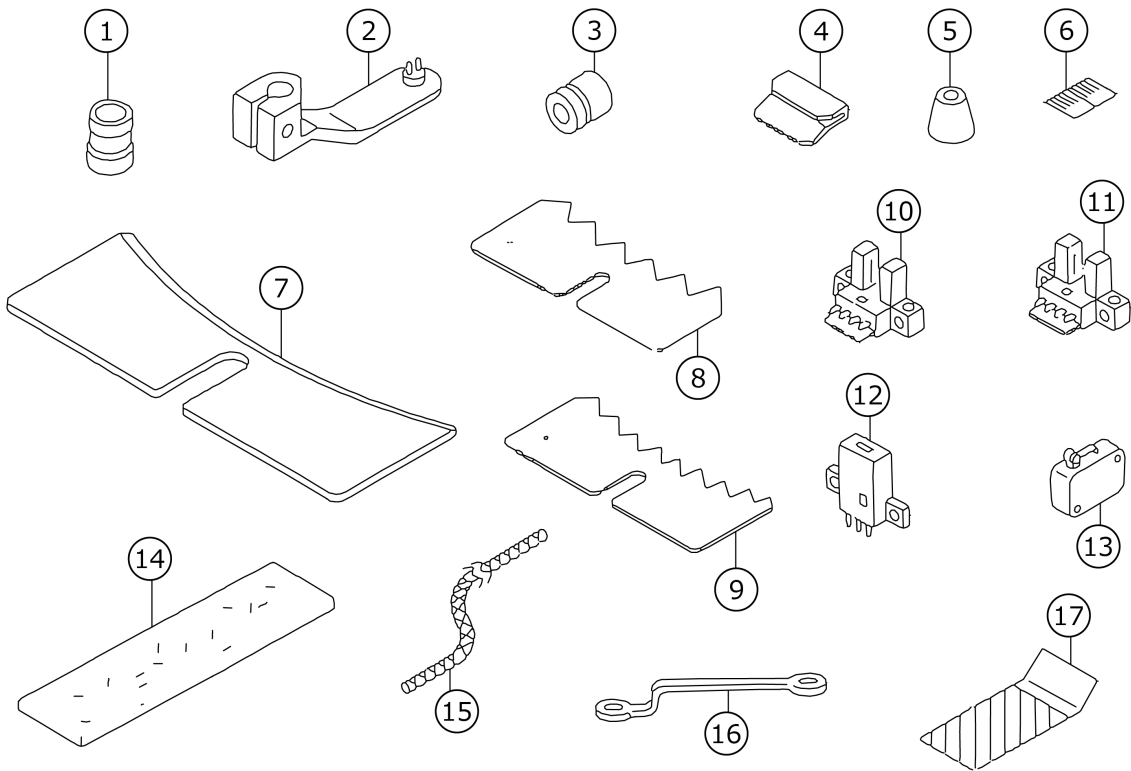
No.	品番	品名	備考	子部品	消耗品	個数
1	16577009	FEEDER BOWL				1.00
2	GBR01426000	GUIDE PLATE				1.00
3	SS4110815SP	SCREW 11/64-40 L=8				2.00
4	GBR01441000	BUTTON STANDING PREVENT PLATE				1.00
5	NM6060001SC	NUT M6				9.00
6	WP0641600SC	WASHEW 6.4X12.5X1.6				3.00
7	WS0610002KN	SPRING WASHER 6.1X12.2X1.5				3.00
8	SM0041001SN	SCREW M4 L=10				1.00
9	18204602	BOWL FIXING KNOB				1.00
10	GBR01432000	BOWL FIXING SCREW				1.00
11	16577504	SELECTOR PLATE				1.00
12	SM4041001SN	SCREW M4X0.7 L=10				1.00
13	WP0430800SC	WASHER M4				1.00
14	GBR01428000	GUIDE PLATE				1.00
15	SM4051001SN	SCREW M5				1.00
16	16577207	P/F COVER				1.00
17	SM0040601SC	SCREW M4X0.7 L=6				4.00
18	16577108	P/F INSTALLING BASE				1.00
19	GBR01429000A	VIBRATION-PROOF RUBBER				3.00
20	16577306	MOUNTING BOLT				3.00
21	NM6080001SC	NUT M8X1.25				6.00
22	16577405	WASHER				6.00
23	18202408	BUTTON GUIDE A				1.00
24	WP0320500SC	WASHER M3				2.00
25	SM4030601SN	SCREW M3 X 6				2.00
26	GBR014220A0	SELECTION PLATE ASM. (SMALL)	OPTIONAL PART			1.00
27	18251553	SELECTION PLATE ASM. (VERY SMA				1.00
28	SM0041001SN	SCREW M4 L=10				1.00
29	WP0450801SD	WASHER 4.5X10X0.8				1.00
30	WP0531000SC	WASHER 5.3X10X1				1.00
31	WP0841601SC	WASHER 8.4X17.4X1.6				1.00

# BR-CONTROL BOX COMPONENTS



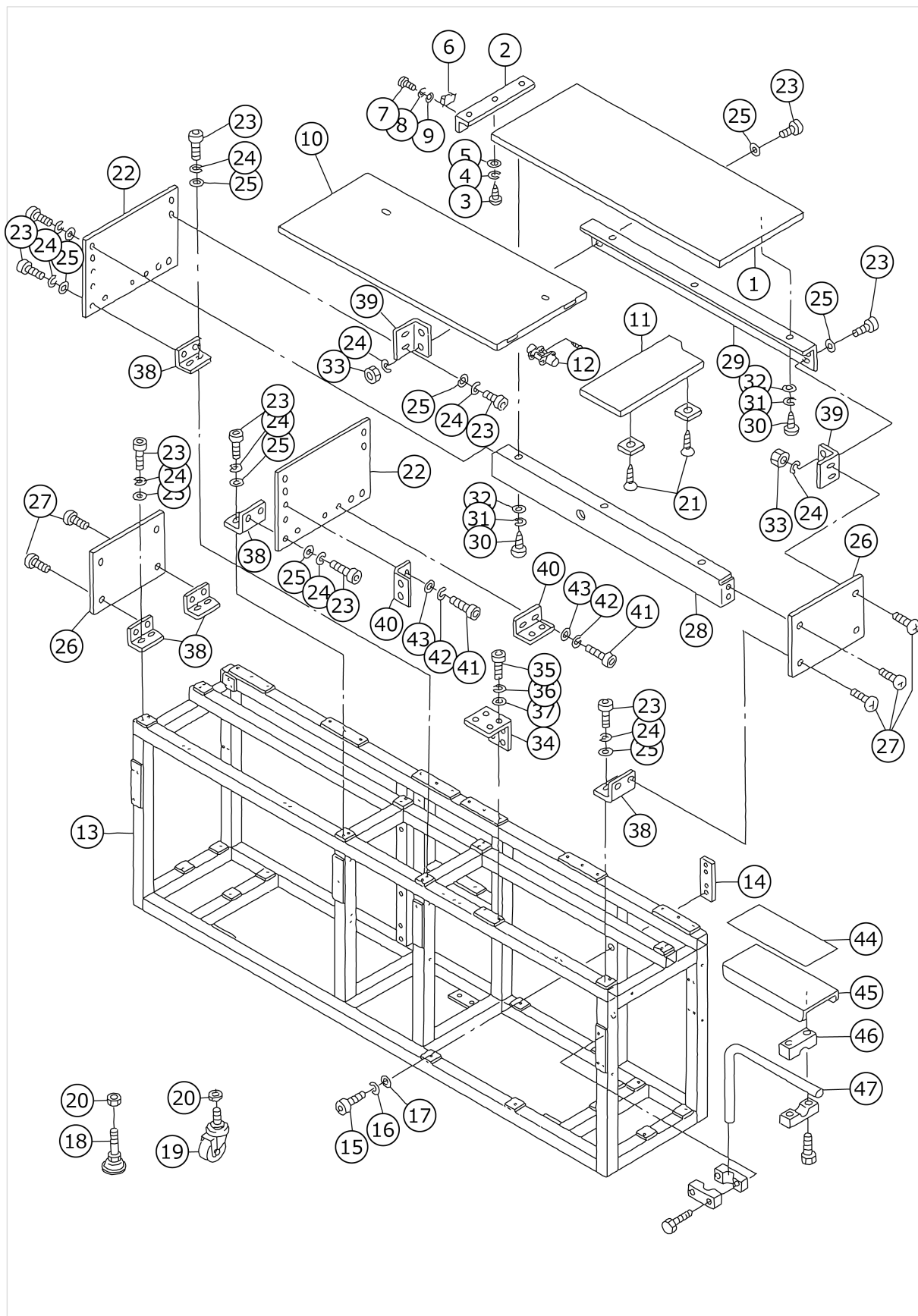
No.	品番	品名	備考	子部品	消耗品	個数
1	GBR118010A0	P/F CONTROLLER COMPL.				1.00
2	GBR10802000	P/F CONTROLLER BACK LID		*		1.00
3	SL4040691SC	SCREW M4 L=6		*		2.00
4	HX000980000	CORD BUSH		*		1.00
5	SM5040601SC	SCREW M4X0.7 L=6		*		2.00
6	GBR11801000	P/F CONTROLLER FRAME		*		1.00
7	GBR118110A0	P/F CONTROLLER ASM.		*		1.00
8	GBR108210A0	P/F POWER CORD ASM.		*		1.00
9	GBR118460A0	RELAY CABLE ASM.				1.00
10	SK3381301SC	WOOD SCREW				2.00
11	GBR11781000	PANEL BOX				1.00
12	GBR117860A0	BREAKER ASM.				1.00
13	GBR117850A0	BUTTON SUPPLY SW ASM.				1.00
14	GBR117830A0	STEP-KEEPER SW ASM.				1.00
15	GBR117840A0	EXHAUST SW ASM.				1.00
16	SL4041091SC	SCREW M4 L=10				1.00
17	SM6040802TN	SCREW				1.00
18	SL4030681SC	SCREW M3 L=6				3.00
19	GBR10782000	PANEL BOX BACK COVER				1.00
20	GBR118220A0	CONNECTING CORD ASM.				1.00
21	CM300100101	DANGER LABEL (SMALL)	FOR JAPAN			1.00
22	CM300100001	LABEL	FOR JE			1.00

# ACCESSORIES COMPONENTS



No.	品番	品名	備考	子部品	消耗品	個数
1	18200501	WORK ATTACHMENT (SMALL)				3.00
2	16558009	BUTTON CARRIER B				1.00
3	16558108	RING, SMALL				1.00
4	G5135164000	WOMAN GAUGE				1.00
5	G5138161000	RUBBER CAP				1.00
6	18204701	SCALE				4.00
7	GBR01437000	AUXILIARY PLATE				1.00
8	GBR01423000	SELECTOR PLATE, MEDIUM				1.00
9	GBR01422000	SELECTOR PLATE, SMALL				1.00
10	HD000830000	PHOTO SENSOR				1.00
11	HD000670000	SENSOR				1.00
12	HD000840000	PHOTO SENSOR				1.00
13	HA000830000	MICROSWITCH				1.00
14	18250407	SANDER (CLOTH)				3.00
15	18250506	SANDER (CORD)				2.00
16	13533203	WRENCH				1.00
17	G5139164000	EXTENSION PLATE				3.00

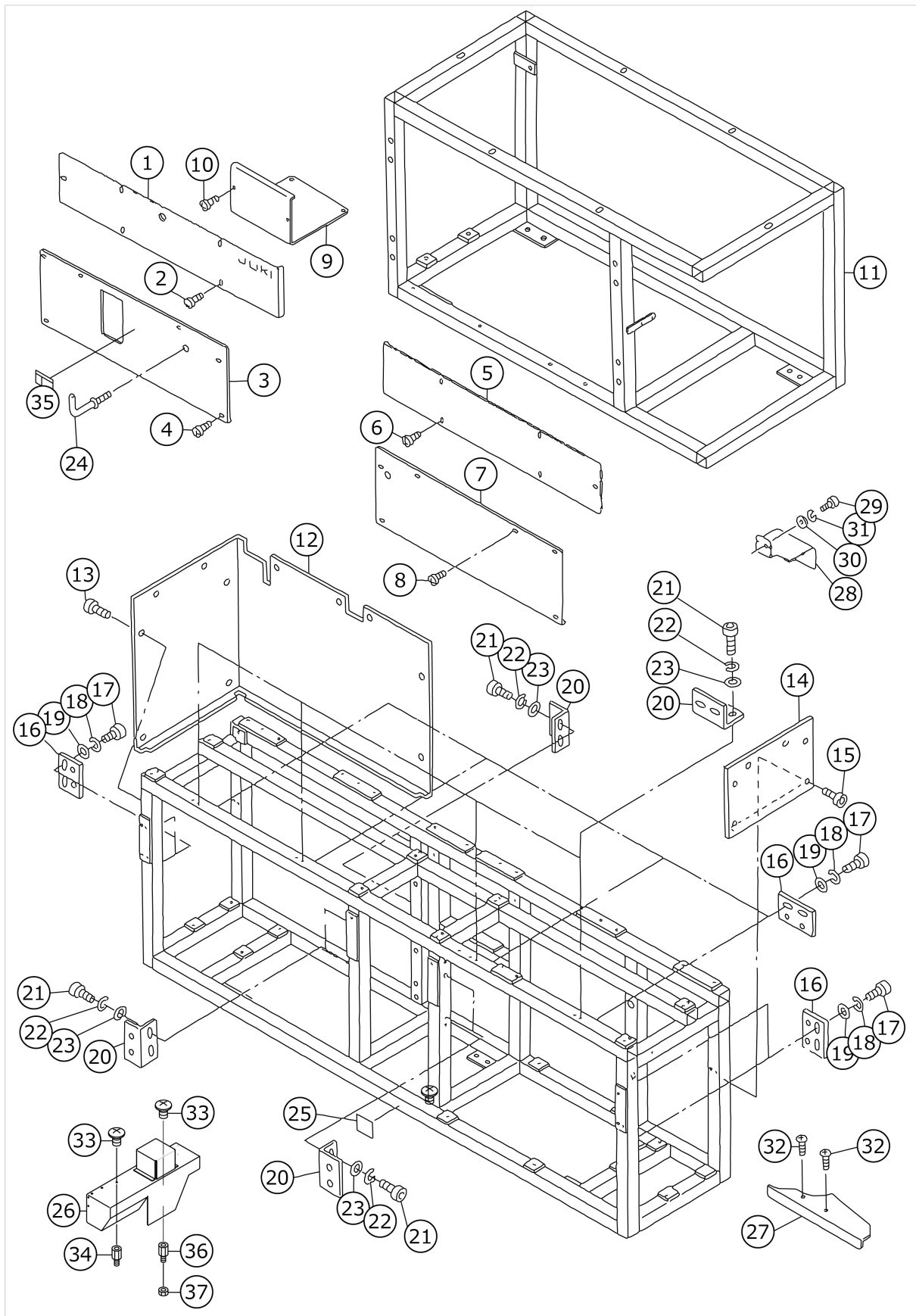
# FRAME COMPONENTS





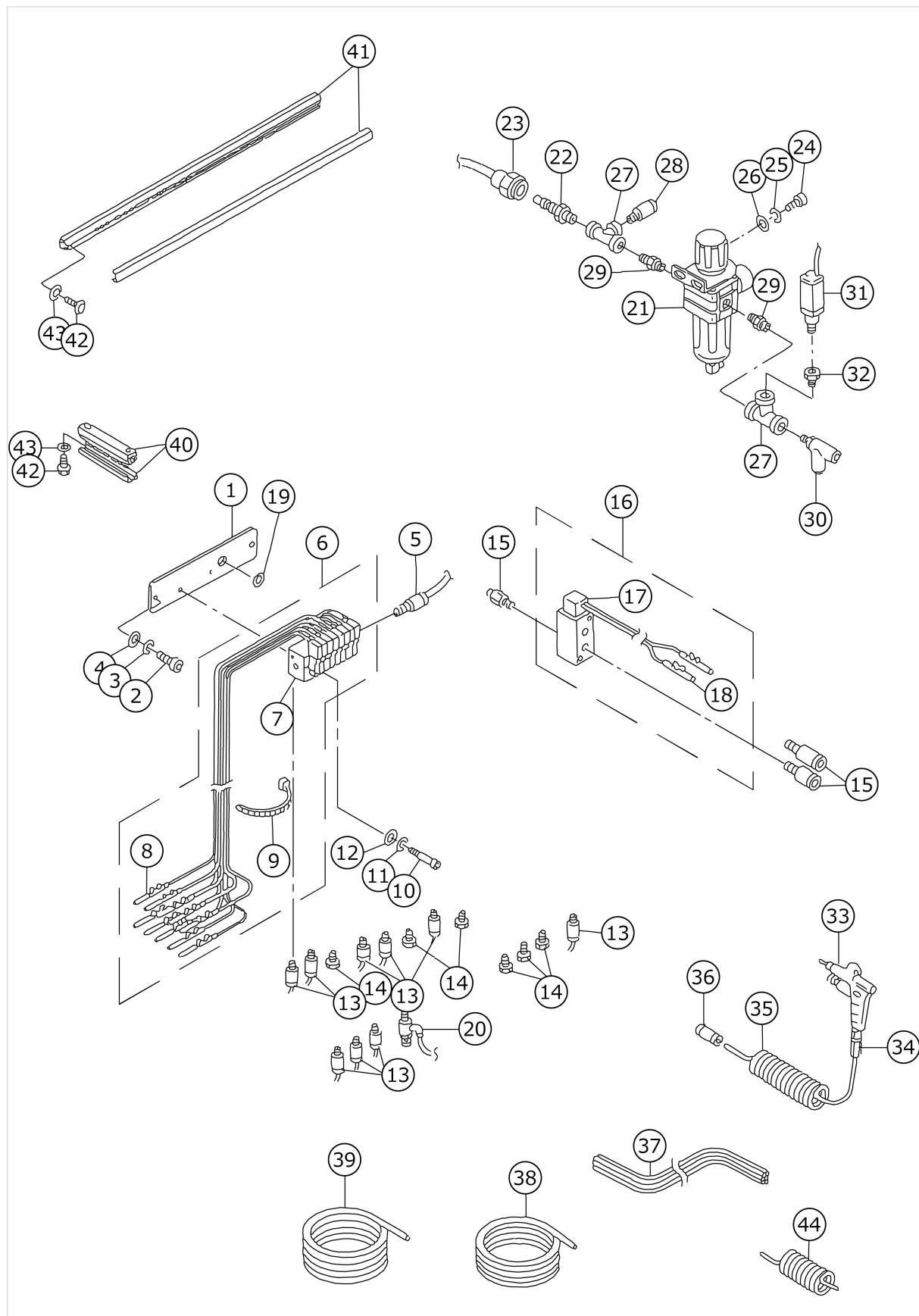
No.	品番	品名	備考	子部品	消耗品	個数
1	G5016164000	TABLE, RIGHT				1.00
2	G5018164000	BRACKET				1.00
3	SK3381601SC	WOOD SCREW D=3.8 L=16				3.00
4	WS0410002KN	SPRING WASHER				3.00
5	WP0430801SC	WASHER 4.3X9X0.8				3.00
6	G5045164000	MAGNET CATCH				2.00
7	SM6030602TP	SCREW M3X0.5 L=6				4.00
8	WS0310002KN	SPRING WASHER M3				4.00
9	WP0320501SC	WASHER M3				4.00
10	G5015164000	TABLE, LEFT				1.00
11	G5017164000	MOVABLE TABLE				1.00
12	G5020164000	HINGE				2.00
13	G5001164000	BASE FRAME				1.00
14	G5041164000	CONNECTING PLATE				4.00
15	SM6082002TN	SCREW M8 L=20				16.00
16	WS0820002KN	SPRING WASHER M8				16.00
17	WP0841601SC	WASHER 8.4X17.4X1.6				16.00
18	G5033172000	ADJUSTER				4.00
19	G5032164000	CASTER				6.00
20	NM6160001SC	NUT				10.00
21	SK1271301SD	WOOD SCREW D=2.7 L=13				2.00
22	G5002164000	TABLE SUPPORT PLATE INNER				2.00
23	SM6061202TP	SCREW M6 L=12				36.00
24	WS0610002KN	SPRING WASHER 6.1X12.2X1.5				36.00
25	WP0641601SC	WASHER				36.00
26	G5003164000	TABLE SUPPORT PLATE OUTER				2.00
27	SM0060801SA	SCREW				8.00
28	G5004164000	TABLE SUPPORT, FRONT				2.00
29	G5005164000	TABLE SUPPORT, REAR				2.00
30	SK3381601SC	WOOD SCREW D=3.8 L=16				12.00
31	WS0410002KN	SPRING WASHER				12.00
32	WP0430801SC	WASHER 4.3X9X0.8				12.00
33	NM6060001SC	NUT M6				4.00
34	G5028164000	INSTALLING PLATE				1.00
35	SM6061202TP	SCREW M6 L=12				2.00
36	WS0610002KN	SPRING WASHER 6.1X12.2X1.5				2.00
37	WP0641601SC	WASHER				2.00
38	G5038171000	SIDE PLATE SUPPORT				8.00
39	G5045171000	SIDE PLATE HOLDER				4.00
40	G5034171000	COVER SUPPORT				14.00
41	SM6040802TP	SCREW M4X0.7 L=8				28.00
42	WS0410002KN	SPRING WASHER				28.00
43	WP0430801SC	WASHER 4.3X9X0.8				28.00
44	G5022164000	CUSHION				1.00
45	G5021164000	CLOTH TABLE				1.00
46	B1141229000	OPERATION BOX STRUT CLAMP				4.00
47	G5023164000	STAY				1.00

# COVER COMPONENTS



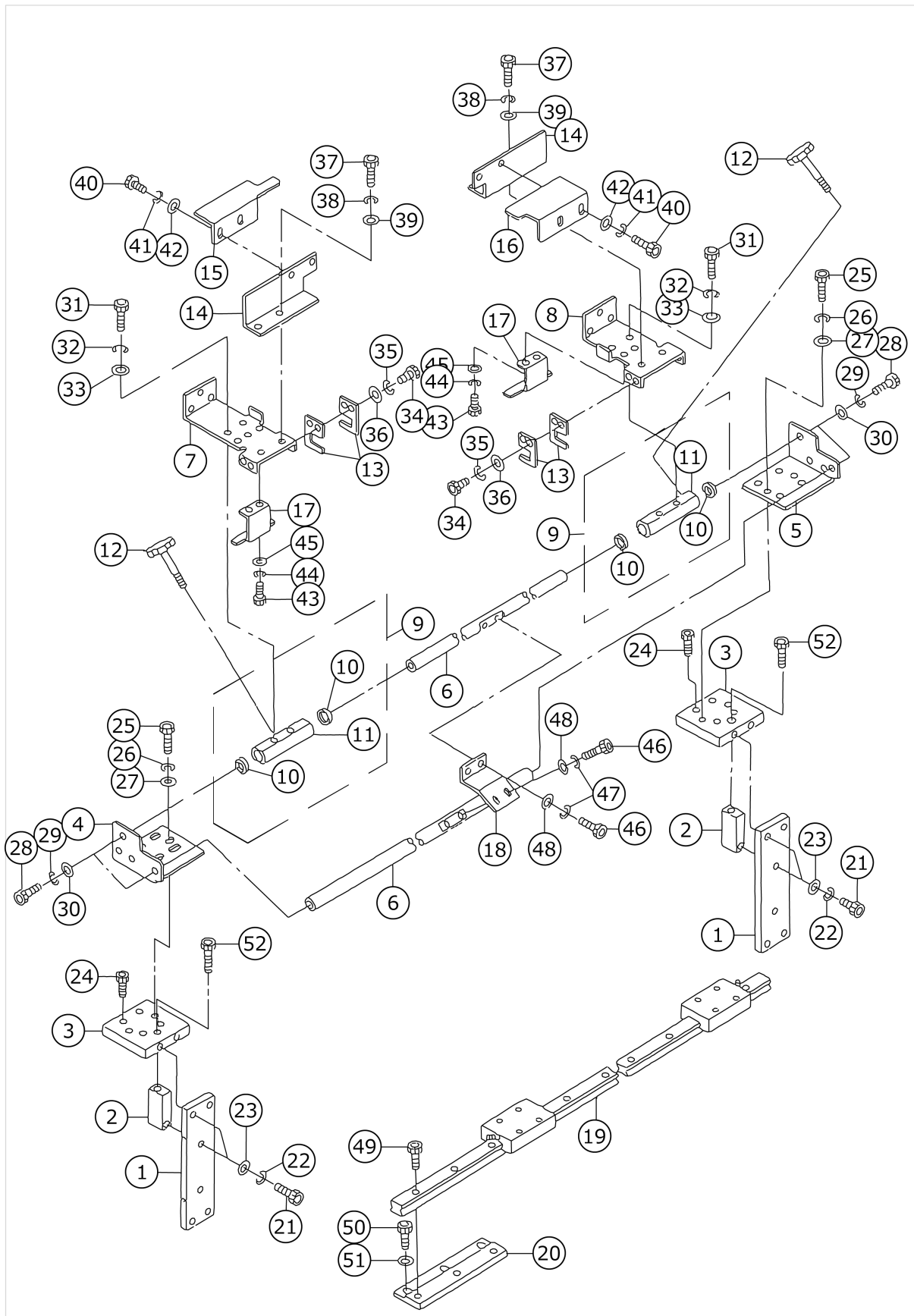
No.	品番	品名	備考	子部品	消耗品	個数
1	G5034164000	RIGHT UPPER COVER				1.00
2	SM0040601SA	SCREW				5.00
3	G5036164000	RIGHT LOWER COVER				1.00
4	SM0040601SA	SCREW				6.00
5	G5033164000	LEFT UPPER COVER				1.00
6	SM0040601SA	SCREW				5.00
7	G5035164000	LEFT LOWER COVER				1.00
8	SM0040601SA	SCREW				6.00
9	G5039164000	MIDDLE COVER				1.00
10	SM0040601SA	SCREW				2.00
11	G5401164000	MACHINE BASE				1.00
12	G5037164000	LEFT SIDE COVER				1.00
13	SM0040601SA	SCREW				11.00
14	G5038164000	RIGHT SIDE COVER				1.00
15	SM0040601SA	SCREW				6.00
16	G5040164000	COVER SUPPORT, B				8.00
17	SM6040802TP	SCREW M4X0.7 L=8				16.00
18	WS0410002KN	SPRING WASHER				16.00
19	WP0430801SC	WASHER 4.3X9X0.8				16.00
20	G5034171000	COVER SUPPORT				14.00
21	SM6040802TP	SCREW M4X0.7 L=8				28.00
22	WS0410002KN	SPRING WASHER				28.00
23	WP0430801SC	WASHER 4.3X9X0.8				28.00
24	G5026162000	HOOK				1.00
25	16870206	GRAVITY SEAL				1.00
26	GBR11105000B	UPPER COVER				1.00
27	18222604	FRONT COVER A				1.00
28	16586307	COVER,REAR				1.00
29	SM6041002TP	SCREW M4 L=10				2.00
30	WP0430800SC	WASHER M4				2.00
31	WS0410002KN	SPRING WASHER				2.00
32	SM0040601SA	SCREW				2.00
33	SM0040601SA	SCREW				2.00
34	HX000560000	SPACER A				1.00
35	CM300200202	SAFETY LABEL 2 (LARGE)	FOR JAPAN			1.00
36	HX00056000C	SPACER				1.00
37	NM6030001SC	NUT M3				1.00

# SOLENOID VALVE & REGULATOR COMPONENTS



No.	品番	品名	備考	子部品	消耗品	個数
1	G5029164000	SOLENOID VALVE PLATE				1.00
2	SM6061202TP	SCREW M6 L=12				2.00
3	WS0610002KN	SPRING WASHER 6.1X12.2X1.5				2.00
4	WP0641601SC	WASHER				2.00
5	PJ301065103	HALF UNION 6XPT1/8				1.00
6	G64011640A0	SOLENOID VALVE ASM. (1)				1.00
7	PV1551080A0	SOLENOID VALVE		*		1.00
8	HK03464000A	TERMINAL, FEMALE		*		16.00
9	EA9500B0100	CABLE BAND		*		2.00
10	SM6033052TP	SCREW				2.00
11	WS0310002KN	SPRING WASHER M3				2.00
12	WP0320501SC	WASHER M3				2.00
13	PJ301040504	JOINTING				9.00
14	PJ020500001	PLUG				6.00
15	PJ301065103	HALF UNION 6XPT1/8				3.00
16	G64021640A0	SOLENOID VALVE ASM. (2)				1.00
17	PV1551070A0	SOLENOID VALVE		*		1.00
18	HK03464000A	TERMINAL, FEMALE		*		2.00
19	HX00055000J	RUBBER BUSHING				1.00
20	PC010514000	SPEED CONTROLLER				1.00
21	PF0552090A0	REGULATOR ASM.				1.00
22	PJ309005203	QUICK JOINT PLUG				1.00
23	PJ309005201	PLUG				1.00
24	SM6061202TP	SCREW M6 L=12				2.00
25	WS0610002KN	SPRING WASHER 6.1X12.2X1.5				2.00
26	WP0641601SC	WASHER				2.00
27	PJ050525201	TEE				2.00
28	PJ301065201	HALF UNION 6XPT1/4				1.00
29	PJ030520001	RING JOINT (NIPPLE)				2.00
30	PJ305065201	TEE UNION				1.00
31	G61071640A0	AIR PRESSURE SENSOR SW ASM.				1.00
32	PJ015251001	BUSHING				1.00
33	16111403	AIR GUN				1.00
34	16111502	SOCKET				1.00
35	G5458116000	CURLED TUBE				1.00
36	PJ303060001	STRAIGHT UNION				1.00
37	G5841270000	TUBE				5.00
38	BT0600401EB	TUBE				5.00
39	BT0400251EB	URETHANE HOSE, BLACK				3.00
40	G6801164000	DUCT, A				1.00
41	G6802164000	DUCT, B				1.00
42	SL4041081SF	SCREW M4 L=10				6.00
43	WP0450801SD	WASHER 4.5X10X0.8				6.00
44	G5046164000	TUBE				1.00

# FEED MECHANISM COMPONENTS

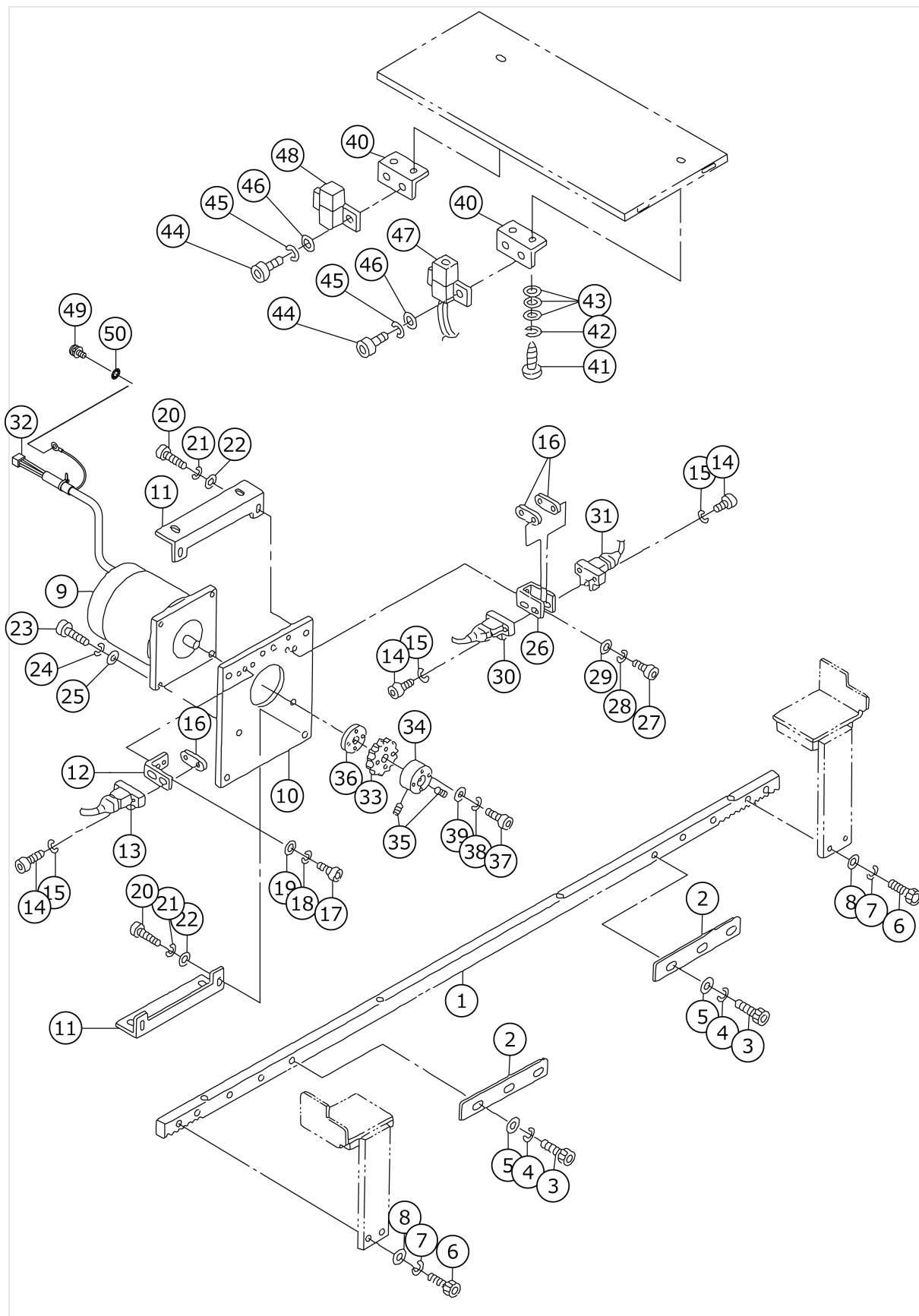


No.	品番	品名	備考	子部品	消耗品	個数
1	G5103164000	STAND				2.00
2	G5104164000	STAND SUPPORT				2.00
3	G5105164000	LM BASE				2.00
4	G5106164000	SLIDER SHAFT SUPPORT, LEFT				1.00
5	G5107164000	SLIDER SHAFT SUPPORT, RIGHT				1.00
6	G5108164000	SLIDER SHAFT				2.00
7	G5109164000	FEEDER MAIN FRAME				1.00
8	G5110164000	FEEDER MAIN FRAME, RIGHT				1.00
9	G51111640A0	SLIDER SHAFT BLOCK ASM.				2.00
10	G5113164000	BUSH		*		4.00
11	G5112164000	SLIDER SHAFT BLOCK		*		2.00
12	G5114164000	BUSH				2.00
13	G5115164000	FIXED PLATE				4.00
14	G5120164000	PLATE SUPPORT				2.00
15	G5121164000	CLAMP PLATE, LEFT				1.00
16	G5122164000	CLAMP PLATE, RIGHT				1.00
17	G5123164000	SENSOR PLATE				2.00
18	G5134164000	COUPLING PLATE				1.00
19	G5010164000	FEED RAIL				1.00
20	G5009164000	FEED RAIL SUPPORT PLATE				6.00
21	SM6062002TP	SCREW M6 L=20				6.00
22	WS0610002KN	SPRING WASHER 6.1X12.2X1.5				6.00
23	WP0641601SC	WASHER				6.00
24	SM6051202TP	SCREW M5X0.8 L=12				8.00
25	SM6061202TP	SCREW M6 L=12				4.00
26	WS0610002KN	SPRING WASHER 6.1X12.2X1.5				4.00
27	WP0641601SC	WASHER				4.00
28	SM6061602TP	SCREW M6 L=16				4.00
29	WS0610002KN	SPRING WASHER 6.1X12.2X1.5				4.00
30	WP0641601SC	WASHER				4.00
31	SM6061002TP	SCREW M6 L=10				4.00
32	WS0610002KN	SPRING WASHER 6.1X12.2X1.5				4.00
33	WP0641601SC	WASHER				4.00
34	SM6041002TP	SCREW M4 L=10				4.00
35	WS0410002KN	SPRING WASHER				4.00
36	WP0430801SC	WASHER 4.3X9X0.8				4.00
37	SM6040802TP	SCREW M4X0.7 L=8				4.00
38	WS0410002KN	SPRING WASHER				4.00
39	WP0430801SC	WASHER 4.3X9X0.8				4.00
40	SM6040802TP	SCREW M4X0.7 L=8				4.00
41	WS0410002KN	SPRING WASHER				4.00
42	WP0430801SC	WASHER 4.3X9X0.8				4.00
43	SM6040802TP	SCREW M4X0.7 L=8				4.00
44	WS0410002KN	SPRING WASHER				4.00
45	WP0430801SC	WASHER 4.3X9X0.8				4.00
46	SM6061202TP	SCREW M6 L=12				4.00
47	WS0610002KN	SPRING WASHER 6.1X12.2X1.5				4.00
48	WP0641601SC	WASHER				4.00
49	SM6051202TP	SCREW M5X0.8 L=12				18.00
50	SM6051202TP	SCREW M5X0.8 L=12				18.00

51	WP0621016SH	WASHER				18.00
52	SM6062002TP	SCREW M6 L=20				2.00



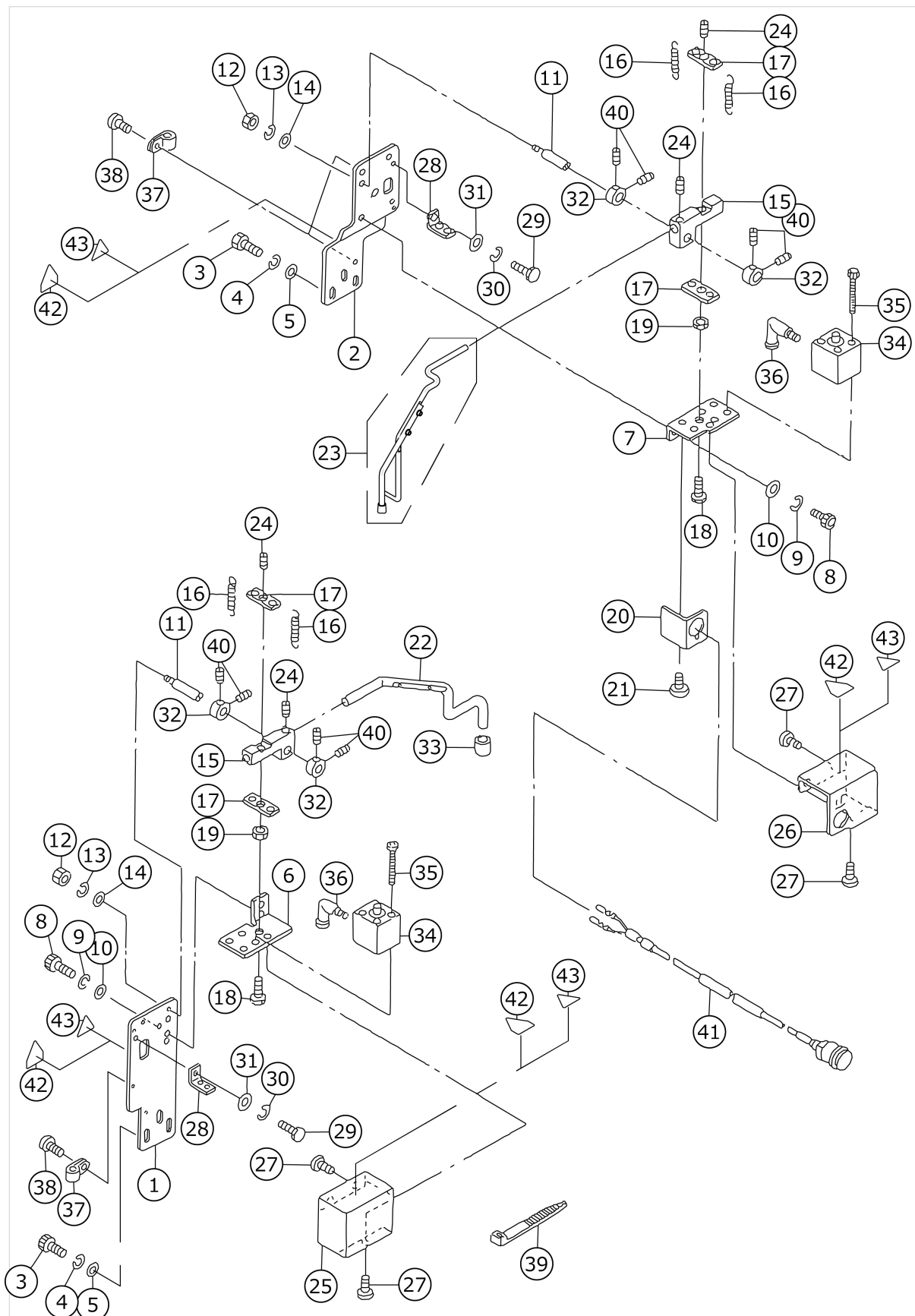
# FEED MECHANISM DRIVE & SWITCH COMPONENTS



No.	品番	品名	備考	子部品	消耗品	個数
1	G5101164000	RACK				1.00
2	G5102164000	ORIGINAL POINT SENSOR PLATE				2.00
3	SM6040802TP	SCREW M4X0.7 L=8				6.00
4	WS0410002KN	SPRING WASHER				6.00
5	WP0430801SC	WASHER 4.3X9X0.8				6.00
6	SM6062002TP	SCREW M6 L=20				4.00
7	WS0610002KN	SPRING WASHER 6.1X12.2X1.5				4.00
8	WP0641601SC	WASHER				4.00
9	HM000570000	STEPPING MOTOR				1.00
10	G5012164000	PM INSTALLING PLATE				1.00
11	G5011164000	PM FIXED BASE				2.00
12	G5013164000	SENSOR INSTALLING PLATE				1.00
13	G61021640A0	SPEED TRANSMISSION SENSOR SW				1.00
14	SM6031502TP	SCREW M3 X 15				6.00
15	WS0310002KN	SPRING WASHER M3				6.00
16	G5153171000	SENSOR PLATE				3.00
17	SM6040802TP	SCREW M4X0.7 L=8				2.00
18	WS0410002KN	SPRING WASHER				2.00
19	WP0430801SC	WASHER 4.3X9X0.8				2.00
20	SM6061202TP	SCREW M6 L=12				4.00
21	WS0610002KN	SPRING WASHER 6.1X12.2X1.5				4.00
22	WP0641601SC	WASHER				4.00
23	SM6082502TN	BOLT				4.00
24	WS0820002KN	SPRING WASHER M8				4.00
25	WP0841601SC	WASHER 8.4X17.4X1.6				4.00
26	G5014164000	SENSOR INSTALLING PLATE				1.00
27	SM6040802TP	SCREW M4X0.7 L=8				2.00
28	WS0410002KN	SPRING WASHER				2.00
29	WP0430801SC	WASHER 4.3X9X0.8				2.00
30	G61011640A0	HOME POSITION SENSOR SW ASM.				1.00
31	G61031640A0	DISCRIMINATION SW ASM.				1.00
32	G65021640A0	PULCE MOTOR CORD ASM.				1.00
33	G5109171000	FEED BLOCK GEAR				1.00
34	G5110171000	BOSS				1.00
35	SM8060802TP	SCREW M6 L=8				2.00
36	G5111171000	GEAR HOLDER				1.00
37	SM6033052TP	SCREW				4.00
38	WS0310002KN	SPRING WASHER M3				4.00
39	WP0320501SC	WASHER M3				4.00
40	G5019164000	SENSOR INSTALLING PLATE				2.00
41	SK3311301SA	WOOD SCREW D=3.1 L=13				4.00
42	WS0410002KN	SPRING WASHER				4.00
43	WP0430801SC	WASHER 4.3X9X0.8				12.00
44	SM6030802TP	SCREW M3X0.5 L=8				4.00
45	WS0310002KN	SPRING WASHER M3				4.00
46	WP0320501SC	WASHER M3				4.00
47	G61101640A0	CLOTH EDGE SENSOR 1 ASM.				1.00
48	G61111640A0	CLOTH EDGE SENSOR 2 ASM.				1.00
49	SL4041081SF	SCREW M4 L=10				1.00
50	WT0430001KN	TOOTHED WASHER				1.00

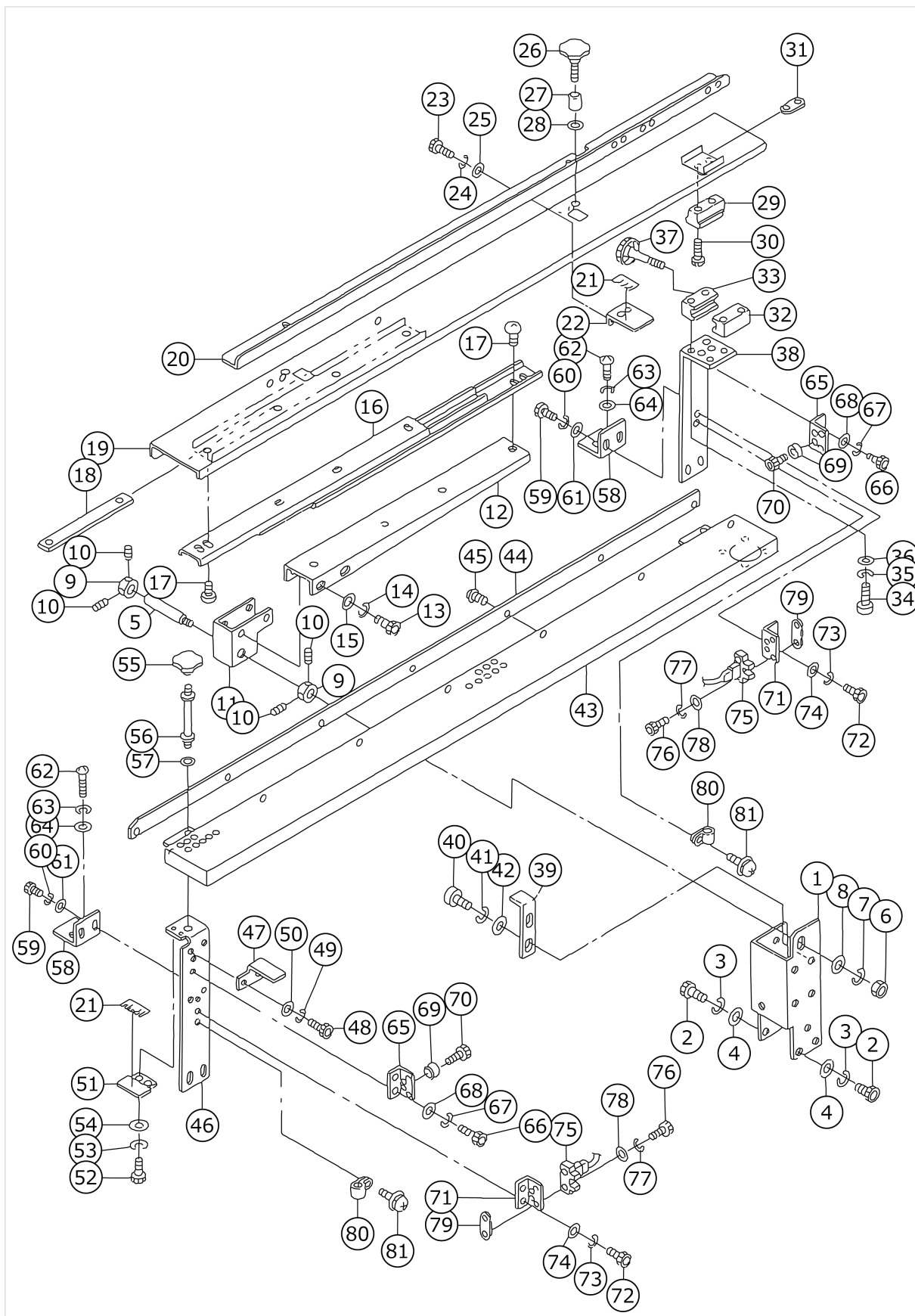


# CLAMP ARM COMPONENTS



No.	品番	品名	備考	子部品	消耗品	個数
1	G5116164000	CLAMP PLATE, LEFT				1.00
2	G5117164000A	CLAMP PLATE, RIGHT				1.00
3	SM6061202TP	SCREW M6 L=12				6.00
4	WS0610002KN	SPRING WASHER 6.1X12.2X1.5				6.00
5	WP0641601SC	WASHER				6.00
6	G5118164000	CLAMP CYLINDER PLATE, LEFT				1.00
7	G5119164000	CLAMP CYLINDER PLATE, RIGHT				1.00
8	SM6061202TP	SCREW M6 L=12				4.00
9	WS0610002KN	SPRING WASHER 6.1X12.2X1.5				4.00
10	WP0641601SC	WASHER				4.00
11	G5124164000	CLAMP SHAFT				2.00
12	NM6060001SC	NUT M6				2.00
13	WS0610002KN	SPRING WASHER 6.1X12.2X1.5				2.00
14	WP0641601SC	WASHER				2.00
15	G5125164000	CLAMP HOLDER				2.00
16	G5126164000	SPRING				4.00
17	G5127164000	SPRING HOOK				4.00
18	G5128164000	TENSION BOLT				2.00
19	NM6060001SC	NUT M6				2.00
20	G5129164000	SWITCH INSTALLING PLATE				1.00
21	G5144162000	SCREW				2.00
22	G5130164A00	CLAMP, LEFT				1.00
23	G5131164A00	CLAMP FOOT ASM., RIGHT				1.00
24	SM8040402TP	SCREW M4X0.7 L=4				4.00
25	G5132164000	CLAMP COVER, LEFT				1.00
26	G5133164000	CLAMP COVER, RIGHT				1.00
27	G5144162000	SCREW				6.00
28	B4131357000	NEEDLE GUARD ADJUSTING GUIDE				2.00
29	SM9041050SC	SCREW M4X0.7 L=10				2.00
30	WS0410002KN	SPRING WASHER				2.00
31	WP0430801SC	WASHER 4.3X9X0.8				2.00
32	G2526270000	COLLAR				4.00
33	G5138161000	RUBBER CAP				1.00
34	PA160100500	AIR CYLINDER				2.00
35	SM6033052TP	SCREW				8.00
36	PJ304040504	ELBOW UNION				2.00
37	HX00150000A	CABLE CLAMP				4.00
38	SM0040601SA	SCREW				4.00
39	EA9500B0100	CABLE BAND				6.00
40	SM8040402TP	SCREW M4X0.7 L=4				8.00
41	G61121640A0	CLOTH PRESSER CANCELLATION SW				1.00
42	CM3002000B2	LABEL(25).	FOR JAPAN			4.00
43	CM300200003	ATTENTION LABEL	FOR JE			4.00

# SET PLATE COMPONENTS

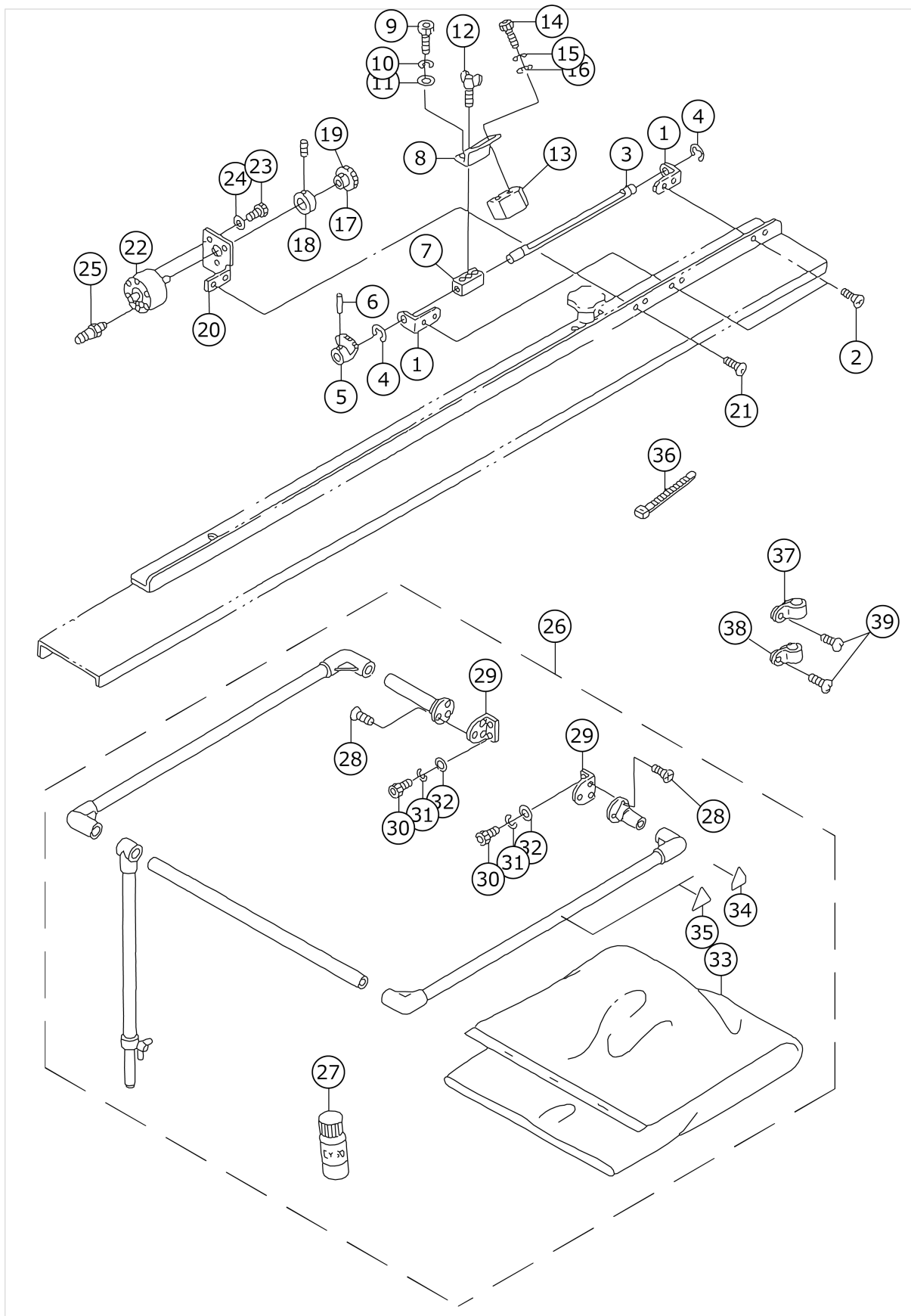


No.	品番	品名	備考	子部品	消耗品	個数
1	G5301164000	LEFT INSTALLING BASE				1.00
2	SM6061202TP	SCREW M6 L=12				6.00
3	WS0610002KN	SPRING WASHER 6.1X12.2X1.5				6.00
4	WP0641601SC	WASHER				6.00
5	G5302164000	TURNING SHAFT				1.00
6	NM6080001SC	NUT M8X1.25				1.00
7	WS0820002KN	SPRING WASHER M8				1.00
8	WP0841601SC	WASHER 8.4X17.4X1.6				1.00
9	G2543270000	SHAFT STOP COLLAR A				2.00
10	SM8040402TP	SCREW M4X0.7 L=4				4.00
11	G5303164000	RAIL INSTALLING PLATE BRACKET				1.00
12	G5304164000	RAIL INSTALLING PLATE				1.00
13	SM6061202TP	SCREW M6 L=12				4.00
14	WS0610002KN	SPRING WASHER 6.1X12.2X1.5				4.00
15	WP0641601SC	WASHER				4.00
16	G5305164000	SLIDER RAIL				1.00
17	SM0040601SA	SCREW				8.00
18	G5306164000	RAIL FIXED PLATE				2.00
19	G5307164000	SET PLATE, LEFT				1.00
20	G5308164000	GUIDE, LEFT				1.00
21	G5309164000	SCALE				4.00
22	G5310164000	SCALE PLATE, LEFT				2.00
23	SM6040802TP	SCREW M4X0.7 L=8				4.00
24	WS0410002KN	SPRING WASHER				4.00
25	WP0430801SC	WASHER 4.3X9X0.8				4.00
26	G5311164000	KNOB, MALE				2.00
27	G5312164000	COLLAR				2.00
28	WP0641601SC	WASHER				2.00
29	G5315164000	BLOCK				1.00
30	SM6042002TP	SCREW M4X0.7 L=20				2.00
31	G5146171000	CLAMP FIXING PLATE				1.00
32	G5313164000	BLOCK.A				1.00
33	G5314164000	BLOCK B				1.00
34	SM6041202TP	SCREW M4X0.7 L=12				4.00
35	WS0410002KN	SPRING WASHER				4.00
36	WP0430801SC	WASHER 4.3X9X0.8				4.00
37	G5316164000	FIXED SCREW				1.00
38	G5006164000	SET PLATE SUPPORT, LEFT				1.00
39	G5332164000	STOPPER				1.00
40	SM6061202TP	SCREW M6 L=12				2.00
41	WS0610002KN	SPRING WASHER 6.1X12.2X1.5				2.00
42	WP0641601SC	WASHER				2.00
43	G5327164000	SET PLATE, RIGHT				1.00
44	G5328164000	GUIDE, RIGHT				1.00
45	SM0030601SA	SCREW M3X0.5 L=6				7.00
46	G5007164000	SET PLATE SUPPORT, RIGHT				1.00
47	G5030164000	SUPPORT PLATE				1.00
48	SM6061202TP	SCREW M6 L=12				2.00
49	WS0610002KN	SPRING WASHER 6.1X12.2X1.5				2.00
50	WP0641601SC	WASHER				2.00

51	G5329164000	SCALE PLATE, RIGHT				2.00
52	SM6040602TP	SCREW M4 L=6				4.00
53	WS0410002KN	SPRING WASHER				4.00
54	WP0430801SC	WASHER 4.3X9X0.8				4.00
55	G5330164000	KNOB, FEMALE				2.00
56	G5331164000	HANDLE EXTENSION				2.00
57	WP0641601SC	WASHER				2.00
58	G5403164000	FIXED PLATE				3.00
59	SM6061002TP	SCREW M6 L=10				6.00
60	WS0610002KN	SPRING WASHER 6.1X12.2X1.5				6.00
61	WP0641601SC	WASHER				6.00
62	SK3381601SC	WOOD SCREW D=3.8 L=16				6.00
63	WS0410002KN	SPRING WASHER				6.00
64	WP0430801SC	WASHER 4.3X9X0.8				6.00
65	G5008164000	STOPPER				2.00
66	SM6040802TP	SCREW M4X0.7 L=8				4.00
67	WS0410002KN	SPRING WASHER				4.00
68	WP0430801SC	WASHER 4.3X9X0.8				4.00
69	G5384171000	RUBBER FOOT				2.00
70	SM6031002TP	HEXAGONAL BOLT M3 X 10				2.00
71	G5008164000	STOPPER				2.00
72	SM6040802TP	SCREW M4X0.7 L=8				4.00
73	WS0410002KN	SPRING WASHER				4.00
74	WP0430801SC	WASHER 4.3X9X0.8				4.00
75	G61051640A0	PRESSER POSITION SW ASM.				2.00
76	SM6031502TP	SCREW M3 X 15				4.00
77	WS0310002KN	SPRING WASHER M3				4.00
78	WP0320501SC	WASHER M3				4.00
79	G5153171000	SENSOR PLATE				2.00
80	HX001500000	CLIP				2.00
81	SL4041081SF	SCREW M4 L=10				2.00

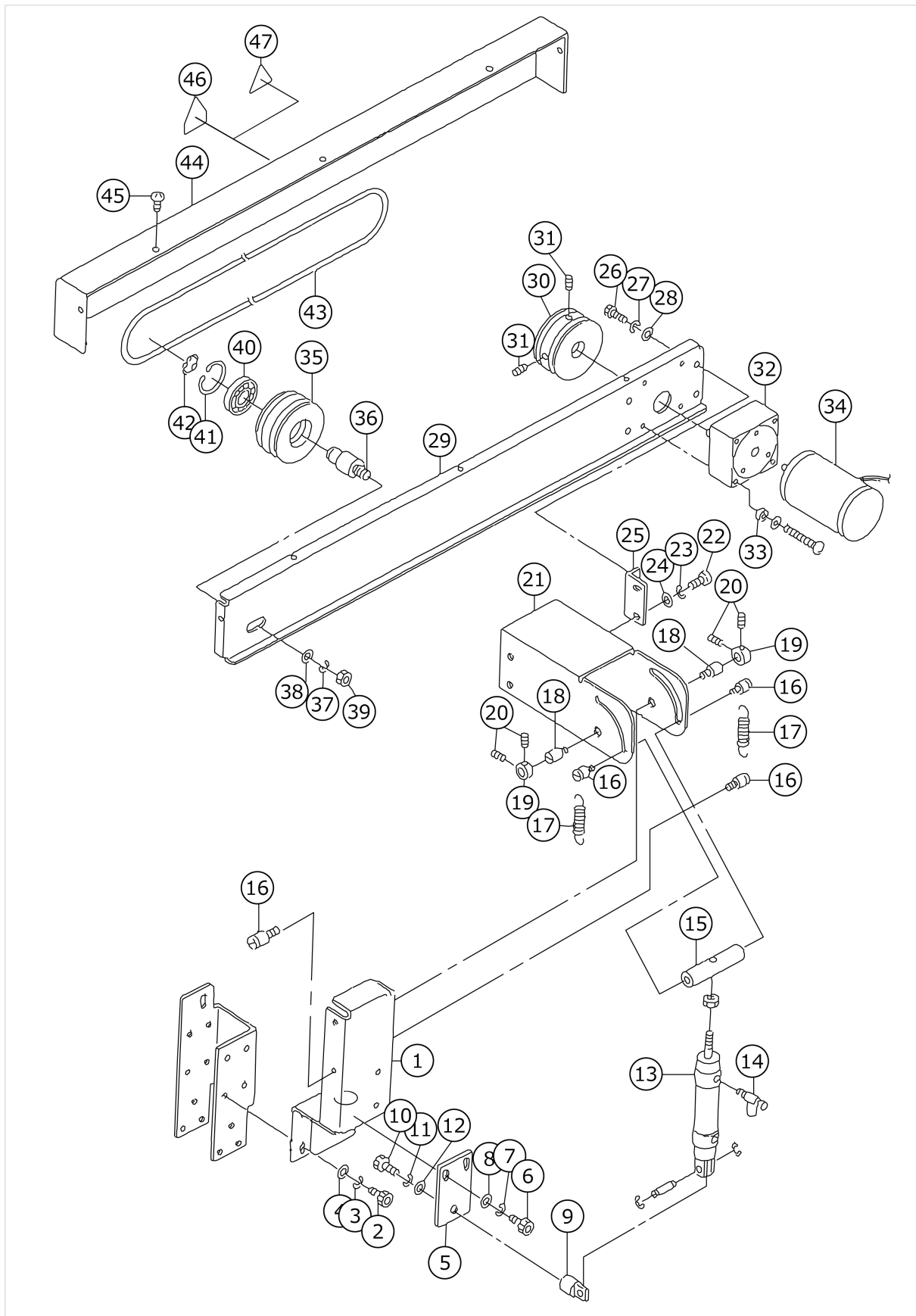


# GAUGE & STACKER GUARD COMPONENTS



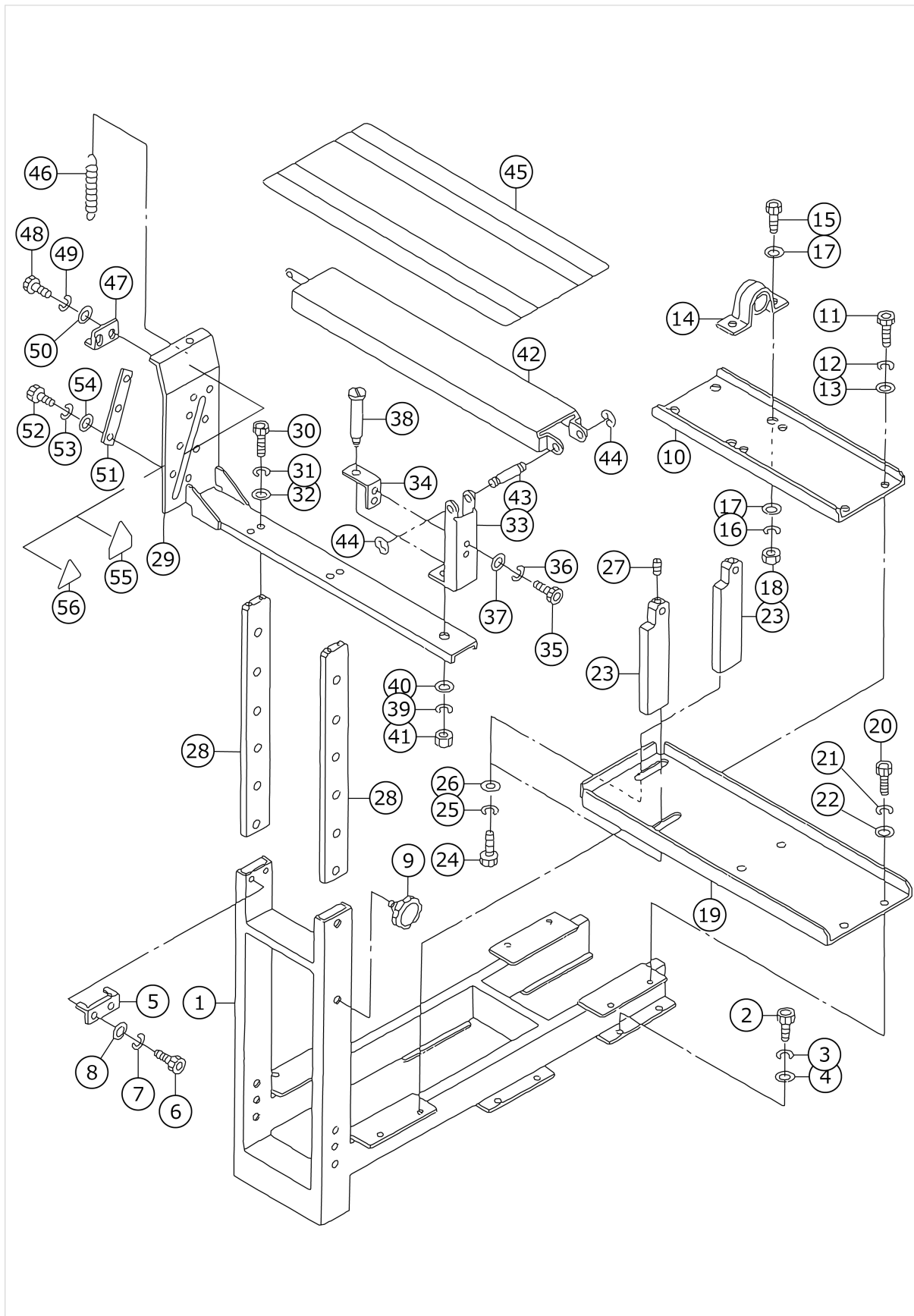
No.	品番	品名	備考	子部品	消耗品	個数
1	G5317164000	BRACKET				2.00
2	SM1030601SC	SCREW M3 L=6				4.00
3	G5318164000	GAUGE SHAFT				1.00
4	RE0400000K0	E-RING 4				2.00
5	G5321164000	GAUGE DRIVEN GEAR				1.00
6	PS0160122KH	SPRING PIN 1.6X12				1.00
7	G5323164000	GAUGE BLOCK				1.00
8	G5324164000	GAUGE INSTALLING PLATE				1.00
9	SM6040602TP	SCREW M4 L=6				2.00
10	WS0410002KN	SPRING WASHER				2.00
11	WP0430801SC	WASHER 4.3X9X0.8				2.00
12	G5326164000	SCREW				1.00
13	G5325164000	GAUGE (FOR MAN)				1.00
14	SM6031202TP	SCREW M3X0.5 L=12				2.00
15	WS0310002KN	SPRING WASHER M3				2.00
16	WP0320501SC	WASHER M3				2.00
17	G5319164000	GEAR				1.00
18	G5320164000	RETAINING RING				1.00
19	SM8030502TP	SCREW M3 L=5				1.00
20	G5322164000	INSTALLING PLATE				1.00
21	SM1030601SC	SCREW M3 L=6				2.00
22	PA800012000	AIR CYLINDER				1.00
23	SM6030602TP	SCREW M3X0.5 L=6				3.00
24	WP0320501SC	WASHER M3				3.00
25	PJ210304010	HALF UNION				2.00
26	G52401640A0	STACKER GUARD ASM.				1.00
27	G5242164000	PIPE ADHESIVE CEMENT		*		1.00
28	SM1030801SC	SCREW M3 L=8		*		6.00
29	G5243164000	PIPE SUPPORT		*		2.00
30	SM6050802TP	SCREW M5X0.8 L=8		*		4.00
31	WS0510002KN	SPRING WASHER		*		4.00
32	WP0531001SC	WASHER		*		4.00
33	GSS29212000	VINYL BAG		*		1.00
34	CM3002000B1	LABEL(16)	FOR JAPAN	*		1.00
35	CM300200003	ATTENTION LABEL	FOR JE	*		1.00
36	EA9500B0100	CABLE BAND				3.00
37	HX00150000F	CABLE CLIP				1.00
38	HX00150000A	CABLE CLAMP				1.00
39	SL4041081SF	SCREW M4 L=10				2.00

# CONVEYOR COMPONENTS



No.	品番	品名	備考	子部品	消耗品	個数
1	G5222164000	MOTOR BRACKET SUPPORT				1.00
2	SM6061202TP	SCREW M6 L=12				4.00
3	WS0610002KN	SPRING WASHER 6.1X12.2X1.5				4.00
4	WP0641601SC	WASHER				4.00
5	G5223164000	INSTALLING PLATE				1.00
6	SM6061202TP	SCREW M6 L=12				2.00
7	WS0610002KN	SPRING WASHER 6.1X12.2X1.5				2.00
8	WP0641601SC	WASHER				2.00
9	PX500017000	KNUCKLE JOINT				1.00
10	SM6082002TN	SCREW M8 L=20				1.00
11	WS0820002KN	SPRING WASHER M8				1.00
12	WP0841601SC	WASHER 8.4X17.4X1.6				1.00
13	PA2002513A0	AIR CYLINDER				1.00
14	PC015108000	SPEED CONTROLLER				1.00
15	G5221164000	KNOB				1.00
16	B3410771000	SUSPENSION SCREW(A)				4.00
17	B2710771000	SPRING				2.00
18	G5225164000	STUD				2.00
19	G2526270000	COLLAR				2.00
20	SM8040402TP	SCREW M4X0.7 L=4				4.00
21	G5226164000	MOTOR BRACKET				1.00
22	SM6061202TP	SCREW M6 L=12				4.00
23	WS0610002KN	SPRING WASHER 6.1X12.2X1.5				4.00
24	WP0641601SC	WASHER				4.00
25	G5227164000	INSTALLING PLATE				2.00
26	SM6061202TP	SCREW M6 L=12				4.00
27	WS0610002KN	SPRING WASHER 6.1X12.2X1.5				4.00
28	WP0641601SC	WASHER				4.00
29	G5228164000	CONVEYER FRAME				1.00
30	G5229164000	DRIVE PULLEY				1.00
31	SM8040602TP	SCREW M4X0.7 L=6				2.00
32	HM000770010	GEAR HEAD				1.00
33	B1513210000	CLOTH PRESSER MAGNET SPACER				4.00
34	G62011640A0	CONVEYER MOTOR ASM.				1.00
35	G5230164000	IDLER PULLEY				1.00
36	G5231164000	IDLER PULLEY SHAFT				1.00
37	WS1020002KN	SPRING WASHER M10				1.00
38	WP1052001SC	WASHER 10,5X21X2				1.00
39	NM6100001SC	NUT M10X1.5				1.00
40	SB115000200	BEARING				1.00
41	RC3500002KP	RETAINING RING 35				1.00
42	RC0150001KP	RETAINING RING 13.8				1.00
43	G5232164000	CONVEYER BELT				2.00
44	G5233164000	CONVEYER COVER				1.00
45	SM0040601SA	SCREW				5.00
46	CM3002000B2	LABEL(25).	FOR JAPAN			1.00
47	CM300200003	ATTENTION LABEL	FOR JE			1.00

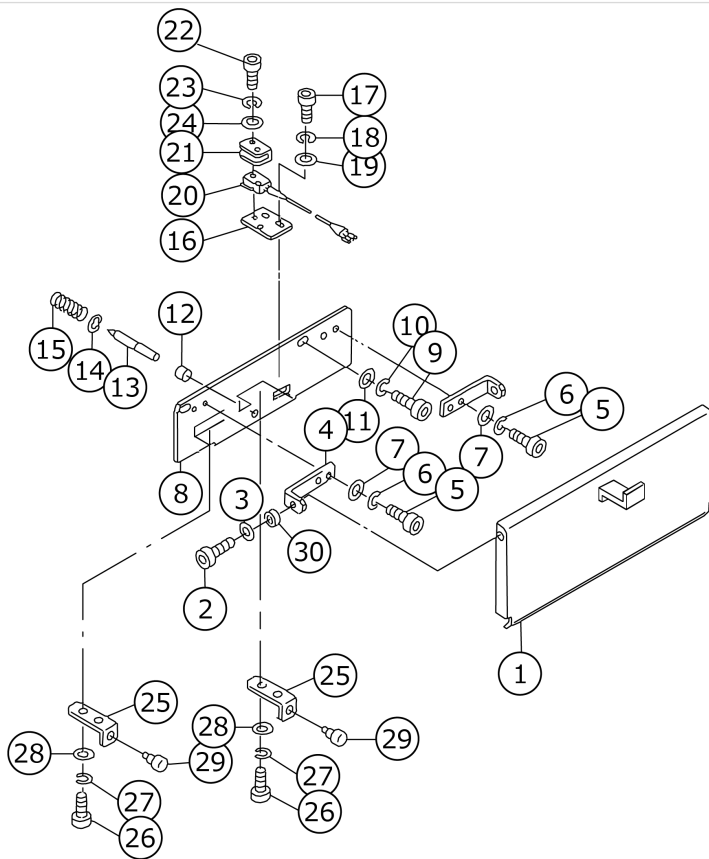
# STACKER COMPONENTS



No.	品番	品名	備考	子部品	消耗品	個数
1	G5201164000	STACKER BASE				1.00
2	SM6061202TP	SCREW M6 L=12				4.00
3	WS0610002KN	SPRING WASHER 6.1X12.2X1.5				4.00
4	WP0641601SC	WASHER				4.00
5	G5210164000	SUPPORT PLATE				2.00
6	SM6030602TP	SCREW M3X0.5 L=6				4.00
7	WS0310002KN	SPRING WASHER M3				4.00
8	WP0320501SC	WASHER M3				4.00
9	G5220164000	KNOB				2.00
10	G5202164000	PILLOW INSTALLING PLATE				1.00
11	SM6061202TP	SCREW M6 L=12				4.00
12	WS0610002KN	SPRING WASHER 6.1X12.2X1.5				4.00
13	WP0641601SC	WASHER				4.00
14	G5219164000	SWITCH INSTALLING PLATE				2.00
15	SM6082002TN	SCREW M8 L=20				4.00
16	WS0820002KN	SPRING WASHER M8				4.00
17	WP0841601SC	WASHER 8.4X17.4X1.6				8.00
18	NM6080001SC	NUT M8X1.25				4.00
19	G5203164000	CYLINDER HOLDER BASE				1.00
20	SM6061202TP	SCREW M6 L=12				4.00
21	WS0610002KN	SPRING WASHER 6.1X12.2X1.5				4.00
22	WP0641601SC	WASHER				4.00
23	G5217164000	CYLINDER MOUNT PLATE				2.00
24	SM6061602TP	SCREW M6 L=16				4.00
25	WS0610002KN	SPRING WASHER 6.1X12.2X1.5				4.00
26	WP0641601SC	WASHER				4.00
27	SM8040402TP	SCREW M4X0.7 L=4				2.00
28	G5209164000	ADJUSTING PLATE				2.00
29	G5211164000	SUPPORT				1.00
30	SM6041202TP	SCREW M4X0.7 L=12				4.00
31	WS0410002KN	SPRING WASHER				4.00
32	WP0430801SC	WASHER 4.3X9X0.8				4.00
33	G5212164000	FULCRUM PLATE				1.00
34	G5234164000	PIN SUPPORT				1.00
35	SM6040802TP	SCREW M4X0.7 L=8				2.00
36	WS0410002KN	SPRING WASHER				2.00
37	WP0430801SC	WASHER 4.3X9X0.8				2.00
38	B8170220000	BED FIXED SCREW				1.00
39	WS0820002KN	SPRING WASHER M8				1.00
40	WP0841601SC	WASHER 8.4X17.4X1.6				1.00
41	NM6080001SC	NUT M8X1.25				1.00
42	G5213164000	CLOTH STACKER				1.00
43	13518105	LIFTING LEVER SHAFT				1.00
44	RE0700000K0	E-RING 7				2.00
45	G5022164000	CUSHION				1.00
46	G5214164000	SPRING				1.00
47	G5215164000	FIXED PLATE				1.00
48	SM6030602TP	SCREW M3X0.5 L=6				2.00
49	WS0310002KN	SPRING WASHER M3				2.00
50	WP0320501SC	WASHER M3				2.00

51	G5235164000	SLIDER				2.00
52	SM6030802TP	SCREW M3X0.5 L=8				6.00
53	WS0310002KN	SPRING WASHER M3				6.00
54	WP0320501SC	WASHER M3				6.00
55	CM3002000B1	LABEL(16)	FOR JAPAN			1.00
56	CM300200003	ATTENTION LABEL	FOR JE			1.00

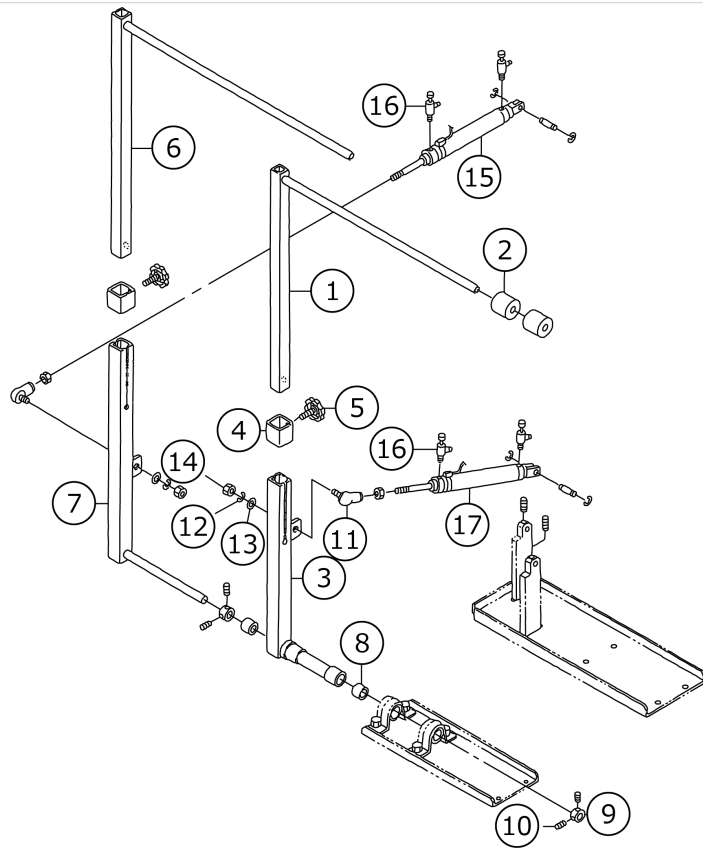
# COVER & KNEE SWITCH COMPONENTS





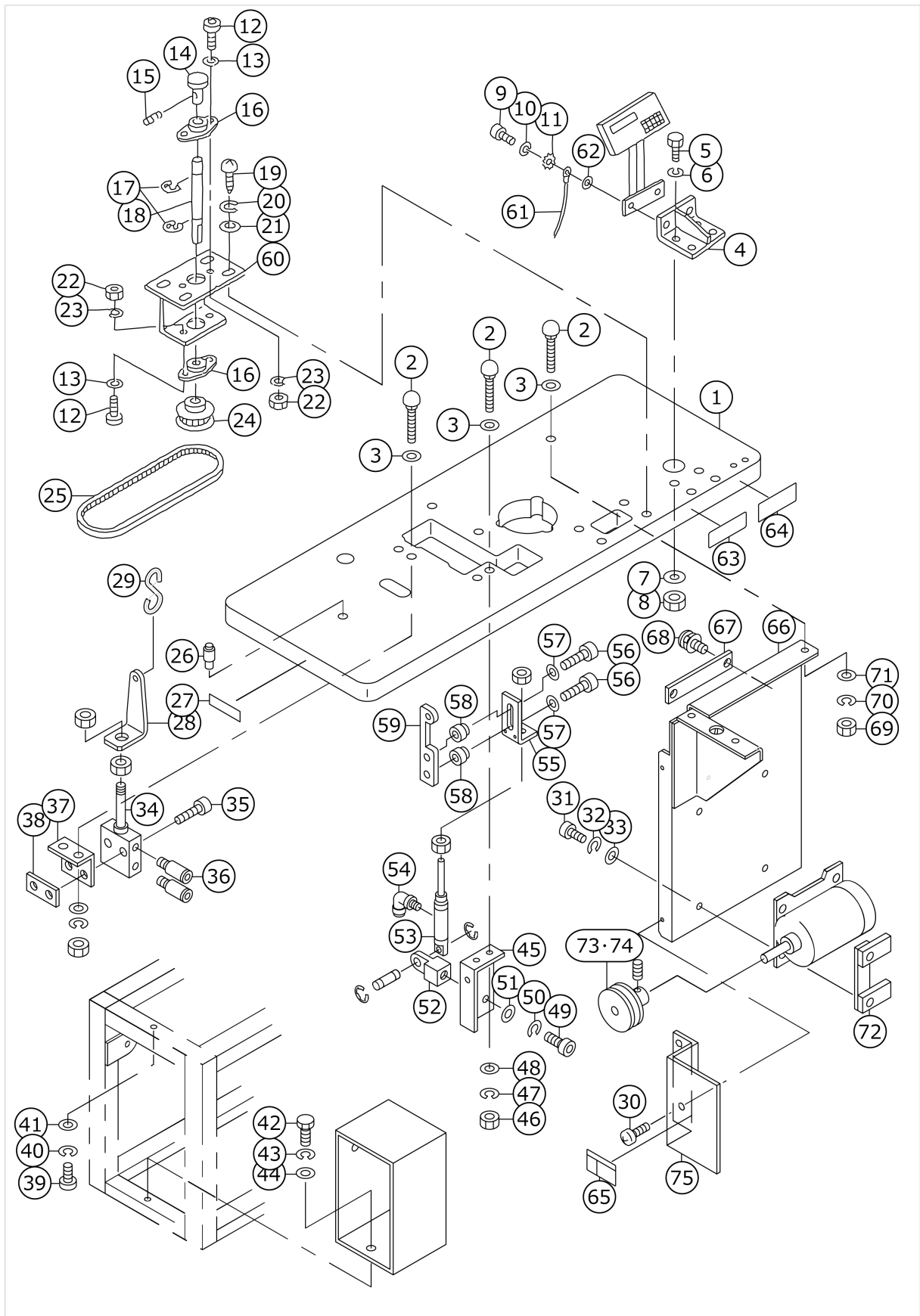
No.	品番	品名	備考	子部品	消耗品	個数
1	G5025164000	START SWITCH PLATE				1.00
2	SM6061202TP	SCREW M6 L=12				2.00
3	WP0641601SC	WASHER				2.00
4	G5027164000	START SWITCH SHAFT PLATE				2.00
5	SM6040802TP	SCREW M4X0.7 L=8				4.00
6	WS0410002KN	SPRING WASHER				4.00
7	WP0430801SC	WASHER 4.3X9X0.8				4.00
8	G5024164000	INSTALLING PLATE				1.00
9	SM6061202TP	SCREW M6 L=12				2.00
10	WS0610002KN	SPRING WASHER 6.1X12.2X1.5				2.00
11	WP0641601SC	WASHER				2.00
12	G5138161000	RUBBER CAP				1.00
13	G5026164000	START SWITCH ROD				1.00
14	RE0400000K0	E-RING 4				1.00
15	G5019171000	SPRING				1.00
16	G5020171000	SWITCH HOLDER				1.00
17	SM6040802TP	SCREW M4X0.7 L=8				2.00
18	WS0410002KN	SPRING WASHER				2.00
19	WP0430801SC	WASHER 4.3X9X0.8				2.00
20	G61041640A0	START SW ASM.				1.00
21	MAO11602N00	MICRO-SWITCH COVER				1.00
22	SM6031602TP	SCREW				2.00
23	WS0310002KN	SPRING WASHER M3				2.00
24	WP0320501SC	WASHER M3				2.00
25	G5009162000	STOPPER PLATE				2.00
26	SM6040802TP	SCREW M4X0.7 L=8				4.00
27	WS0410002KN	SPRING WASHER				4.00
28	WP0430801SC	WASHER 4.3X9X0.8				4.00
29	G5021171000	RUBBER CUSHION				2.00
30	B2544280000	WASHER, FOR WORK CLAMP FOOT HO				2.00

# STACKER CYLINDER COMPONENTS



No.	品番	品名	備考	子部品	消耗品	個数
1	G5204164000	CLOTH PRESSER				1.00
2	G5216164000	STACKER RING				5.00
3	G5205164000	CLOTH PRESSER				1.00
4	G5208164000	BAR LOCKER				2.00
5	G5221164000	KNOB				2.00
6	G5206164000	CLOTH PAYMENT				1.00
7	G5207164000	CLOTH PAYMENT				1.00
8	G5218164000	BEARING				2.00
9	G2543270000	SHAFT STOP COLLAR A				2.00
10	SM8040402TP	SCREW M4X0.7 L=4				4.00
11	G5204171000	LINK BOLL				2.00
12	WS0820002KN	SPRING WASHER M8				2.00
13	WP0841601SC	WASHER 8.4X17.4X1.6				2.00
14	NM6080003SC	NUT M8				2.00
15	G61081640A0	CLOTH SWEEPING CYLINDER ASM.				1.00
16	PC015108000	SPEED CONTROLLER				4.00
17	G61091640A0	CLOTH PRESSER CYLINDER ASM.				1.00

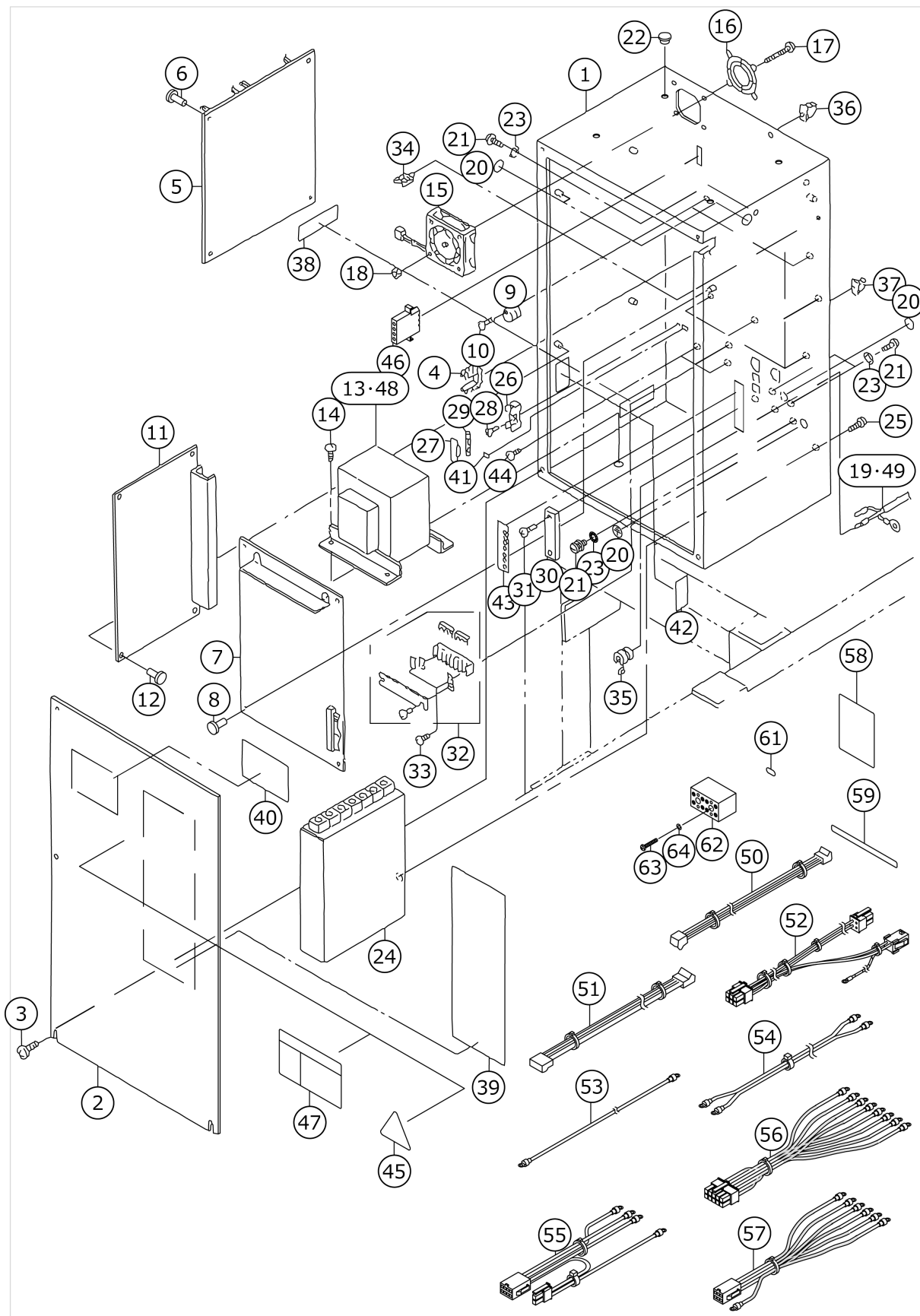
# MACHINABLE COMPONENTS



No.	品番	品名	備考	子部品	消耗品	個数
1	G5402164000	MACHINE TABLE				1.00
2	MTJMS000060	BOLT				7.00
3	WP0850002SP	WASHER 8.5X18X1.6				7.00
4	G5406164000	OPERATION PANEL BRACKET				1.00
5	SM9066503SC	SCREW M6 L=65				4.00
6	WS0610002KN	SPRING WASHER 6.1X12.2X1.5				4.00
7	WP0641601SC	WASHER				4.00
8	NM6060001SC	NUT M6				4.00
9	SM6061202TN	BOLT				2.00
10	WS0610002KN	SPRING WASHER 6.1X12.2X1.5				2.00
11	WT0640001KN	TOOTH WASHER				2.00
12	SM6051202TP	SCREW M5X0.8 L=12				4.00
13	WP0531001SC	WASHER				4.00
14	16561904	MOTOR KNOB				1.00
15	SM8050602TP	SCREW M5 L=6				1.00
16	G5420164000	FLANGE				2.00
17	RE0600000K0	E-RING 6				2.00
18	G5419164000	SHAFT				1.00
19	SK3381301SC	WOOD SCREW				4.00
20	WS0410002KN	SPRING WASHER				4.00
21	WP0430801SC	WASHER 4.3X9X0.8				4.00
22	NM6050001SC	NUT M5				4.00
23	WS0510002KN	SPRING WASHER				4.00
24	G5418164000	SULLEY				2.00
25	G5421164000	ROTATION BELT				1.00
26	B82133720A0A	HEAD SUPPORT BAR ASM.				1.00
27	G5042164000	NAME PLATE				1.00
28	G5409164000	LEVER				1.00
29	B8133019000	S SHAPED HOOK				1.00
30	SM0040601SA	SCREW				2.00
31	SM6061602TP	SCREW M6 L=16				4.00
32	WS0610002KN	SPRING WASHER 6.1X12.2X1.5				4.00
33	WP0641601SC	WASHER				4.00
34	PA2502002A0	CYLINDER				1.00
35	SM6053002TP	SCREW M5X0.8 L=30				2.00
36	PJ301060503	HALF UNION				2.00
37	G5407164000	CYLINDER BRACKET				1.00
38	G5408164000	NUT				1.00
39	SM6082002TN	SCREW M8 L=20				1.00
40	WS0820002KN	SPRING WASHER M8				1.00
41	WP0841601SC	WASHER 8.4X17.4X1.6				1.00
42	SM9082003SC	SCREW M8 L=20				3.00
43	WS0820002KN	SPRING WASHER M8				3.00
44	WP0841601SC	WASHER 8.4X17.4X1.6				3.00
45	G5410164000	CYLINDER BRACKET				1.00
46	NM6060001SC	NUT M6				2.00
47	WS0610002KN	SPRING WASHER 6.1X12.2X1.5				2.00
48	WP0641601SC	WASHER				2.00
49	SM6051202TP	SCREW M5X0.8 L=12				1.00
50	WS0510002KN	SPRING WASHER				1.00

51	WP0531001SC	WASHER				1.00
52	PX500018000	KNUCKLE JOINT				1.00
53	PA1601510A0	AIR CYLINDER				1.00
54	PJ304040504	ELBOW UNION				1.00
55	G5412164000	WORKING PLATE				1.00
56	SM6041202TP	SCREW M4X0.7 L=12				2.00
57	WP0430801SC	WASHER 4.3X9X0.8				2.00
58	G5416164000	SLIDE HOLDER				2.00
59	G5411164000	LINK				1.00
60	G5417164000	BRACKET				1.00
61	G67041640A0	EARTH CORD ASM.				2.00
62	WP0641601SC	WASHER				2.00
63	CM500100001	CE MARKING LABEL	FOR JE			1.00
64	CM500000001	POWER SOURCE INDICATION LABEL	FOR JE			1.00
65	CM300600101	LABEL, (SMALL).	FOR JAPAN			1.00
66	G5404164000	MOTOR BRACKET				1.00
67	HK044350120	TERMINAL				1.00
68	SL4030881SF	SCREW				2.00
69	NM6060001SC	NUT M6				3.00
70	WS0610002KN	SPRING WASHER 6.1X12.2X1.5				3.00
71	WP0641601SC	WASHER				3.00
72	G5405164000	MOTOR FIXED PLATE				2.00
73	B7101373N00	MOTOR PULLY (50HZ 1500SPM)	SELECTIVE PART			1.00
74	B7102373N00	MOTOR PULLY (60HZ 1500SPM)	SELECTIVE PART			1.00
75	G5422164000	PULLEY COVER				1.00

# CONTROL BOX COMPONENTS

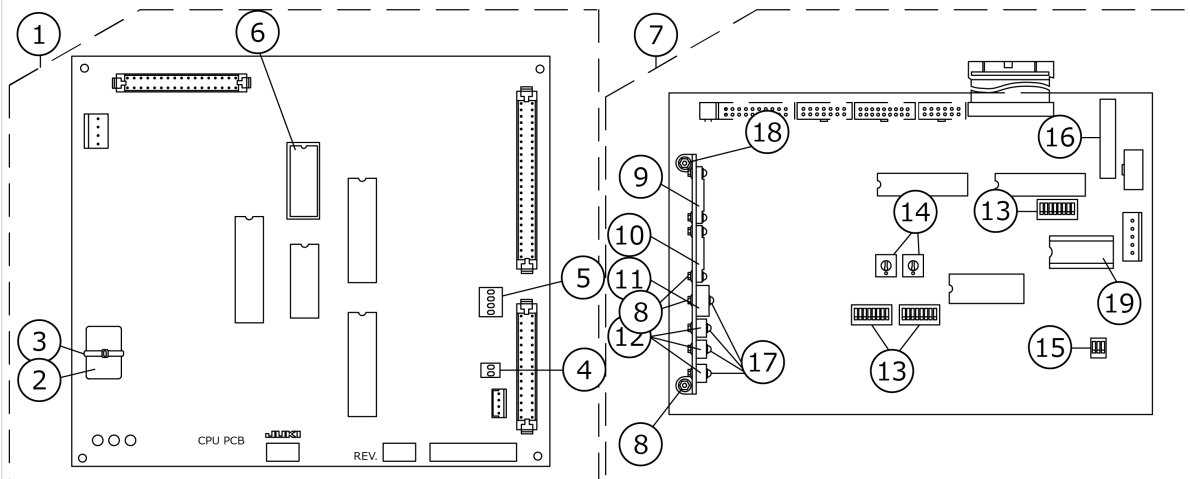


No.	品番	品名	備考	子部品	消耗品	個数
1	M1001544000A	CONTROL BOX FRAME				1.00
2	M10025440A0	FRAME CONTROLL BOX COVER ASM.				1.00
3	SM0040601SA	SCREW				6.00
4	M1004540000	FREE BUSHING, A				1.00
5	M8601543BA0	CPU BASE ASM.				1.00
6	HX00269000B	SPACER				4.00
7	M8602544AA0A	I/O BASE ASM. (B)				1.00
8	HX00269000B	SPACER				4.00
9	M1004544000A	CIRCUIT BOARD SUPPORT				2.00
10	SL4031891SC	SCREW M3 L=18				2.00
11	M8603544AA0	POWER CIRCUIT BOARD ASM.				1.00
12	HX00269000B	SPACER				4.00
13	M85105440A0	TRANSFORMER ASM.	FOR JAPAN			1.00
14	SL4051091SC	SCREW M5X0.8 L=10				4.00
15	M85115440A0	DC FAN ASM.				1.00
16	HM0003800A0	FINGER GUARD				1.00
17	SM4043601SN	SCREW M4X0.7 L=36				4.00
18	NM3040520SF	FLANGE NUT M4				4.00
19	M85215400A0	AC INPUT POWER CORD ASM.	FOR JAPAN			1.00
20	10004109	GROUND MARK				3.00
21	SL4041081SF	SCREW M4 L=10				10.00
22	TA0800504R0	PLUG D=8 L=4.5				4.00
23	WT0430001KN	TOOTHED WASHER				10.00
24	HM000570010	DRIVER				1.00
25	SL4041081SF	SCREW M4 L=10				2.00
26	HF005111000	FUSE HOLDER				1.00
27	HF00511000B	FUSE HOLDER COVER				1.00
28	SM4041001SC	SCREW M4X0.7 L=10				1.00
29	E9602701000	FUSE 4A				1.00
30	HK017150070	TERMINAL BASE 7P	FOR JAPAN			1.00
31	SL4031681SF	SCREW M3 L=16	FOR JAPAN			2.00
32	HK044450060	TERMINAL BASE				1.00
33	SL4031481SF	SCREW M3 L=14				2.00
34	HX00222000A	CABLE CLAMP				5.00
35	HX004100000	BUSH				1.00
36	HX000240000	CORD HOLDER				1.00
37	HX00024000C	CORD CLAMP				1.00
38	M1010544000	CONTROL BOX PLATE	FOR JAPAN			1.00
39	M1020544000	SEAL, A				1.00
40	M1022543000	SEAL, B				1.00
41	M1022544000	F6 SEAL				1.00
42	M1021544000	SEAL				1.00
43	M1021540000	SEAL				1.00
44	SL4040691SC	SCREW M4 L=6				2.00
45	CM300100001	LABEL	FOR JE			1.00
46	M9620110000	RECEPTACLE				1.00
47	CM300100101	DANGER LABEL (SMALL)	FOR JAPAN			1.00
48	M8510544BA0	TRANSFORMER B ASM.	FOR JE			1.00
49	M85295440A0	AC INPUT POWER CORD B ASM.	FOR JE			1.00
50	M85205440A0	POWER CORD ASM.	FOR JE			1.00



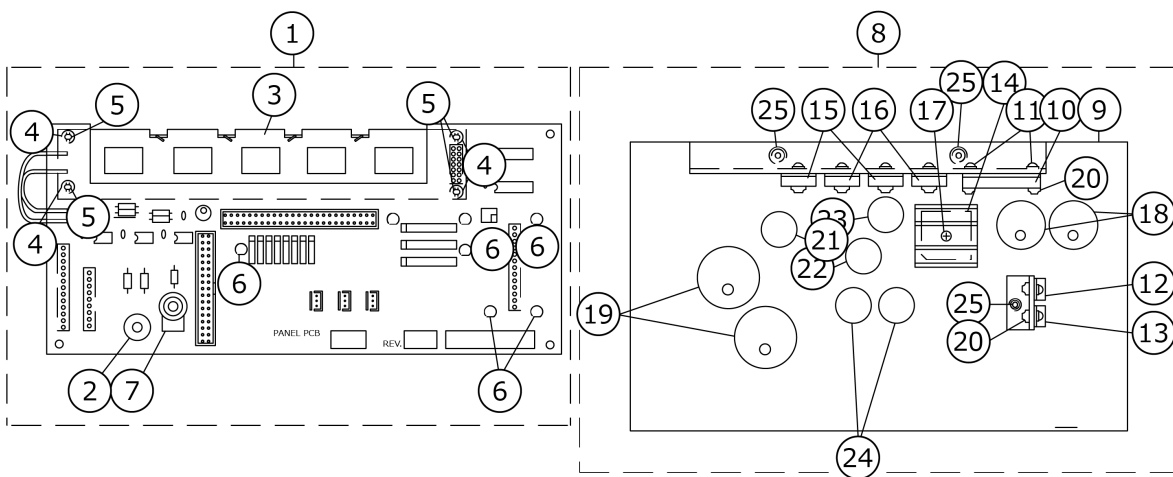
51	M85215440A0	POWER CORD ASM. (1)	FOR JE			1.00
52	M85225440A0	POWER CORD (2)	FOR JE			1.00
53	M85245440A0	RELAY CORD ASM.	FOR JE			1.00
54	M85255440A0	DRIVER POWER CORD	FOR JE			1.00
55	M85265440A0	POWER CORD ASM.	FOR JE			1.00
56	M85245400A0	DRIVER CONNCTING CORD ASM.	FOR JE			1.00
57	M85255400A0	CONNECTING CORD ASM.	FOR JE			1.00
58	G8015397000	TRANSFORMER TAP SEAL C	FOR JE			1.00
59	M3007519000	TRANSFORMER TAP SEAL	FOR JE			1.00
60	M1010544B00	CONTROL BOX PLATE	FOR JE			1.00
61	CM200100001	PE MARK LABEL	FOR JE			1.00
62	HK054250040	TERMINAL BASE	FOR JE			2.00
63	SM4031851SR	SCREW	FOR JE			4.00
64	WS0310702KS	SPRING WASHER	FOR JE			4.00

# CPU CIRCUIT BOARD & I/O CIRCUIT BOARD COMPONENTS



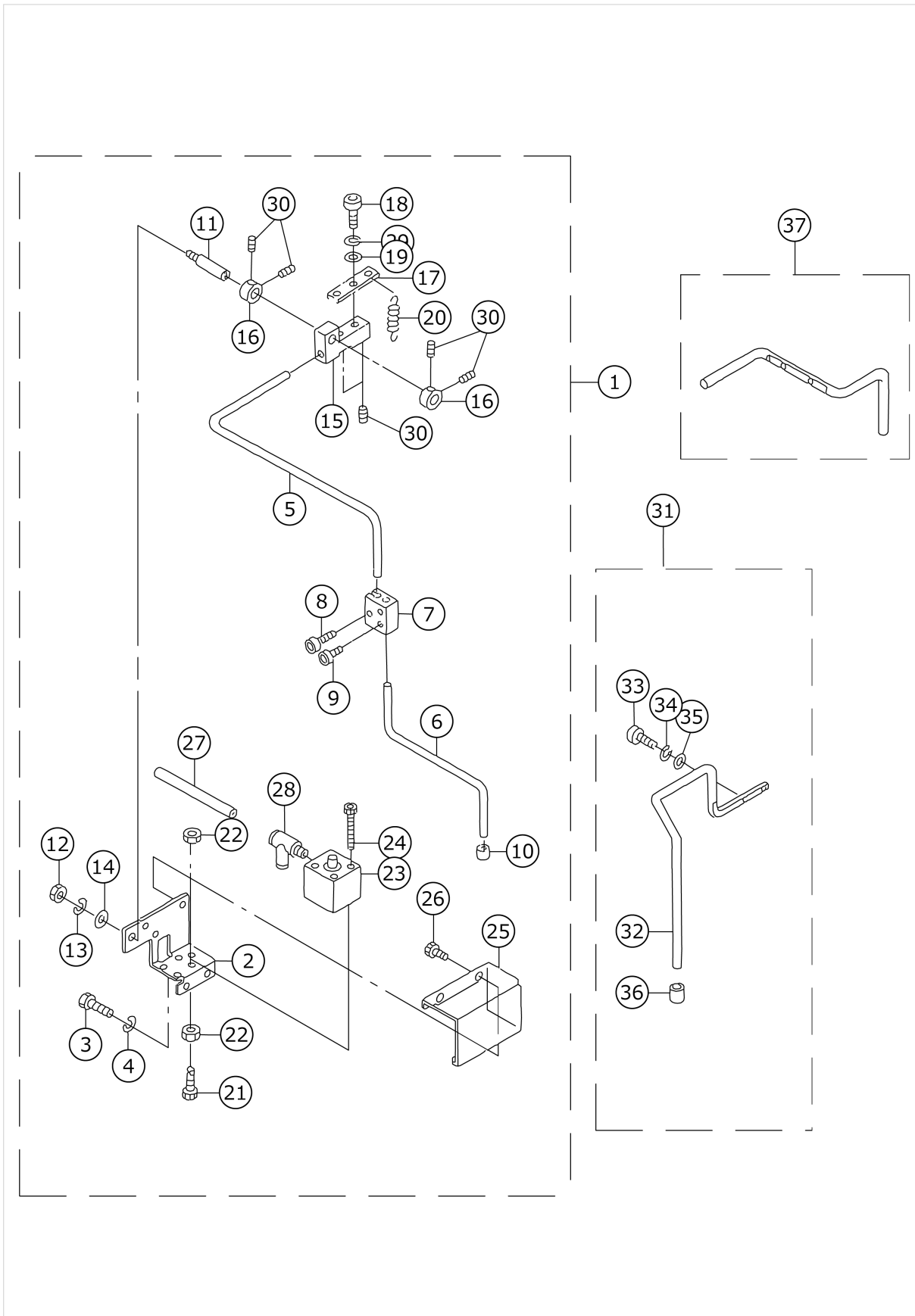
No.	品番	品名	備考	子部品	消耗品	個数
1	M8601543BA0	CPU BASE ASM.				1.00
2	HX001160000	BATTERY 3.6V		*		1.00
3	EA9500B0100	CABLE BAND		*		1.00
4	HA001080020	DIP SWITCH		*		1.00
5	HA001080040	DIP SWITCH 4		*		1.00
6	HL008420043	IC		*		1.00
7	M8602544AA0	I/O BASE ASM. A				1.00
8	NM3034000SF	FLANGE NUT		*		10.00
9	HT003920000	TRANSISTOR		*		1.00
10	HT003640000	TRANSISTOR ARRAY		*		1.00
11	HT002570000	TRANSISTOR		*		1.00
12	HT003570000	TRANSISTOR		*		3.00
13	HA001080080	DIP SWITCH 8P		*		3.00
14	HA002330000	ROTARY SWITCH		*		2.00
15	HA001080030	DIP SWITCH		*		1.00
16	HA000500000	ROTARY SWITCH		*		1.00
17	SL4031291SC	SCREW M3X12		*		4.00
18	SL4031081SF	SCREW M3 L=10		*		6.00
19	HL008420044	IC		*		1.00

# PANEL CIRCUIT BOARD & POWER CIRCUIT BOARD COMPONENTS



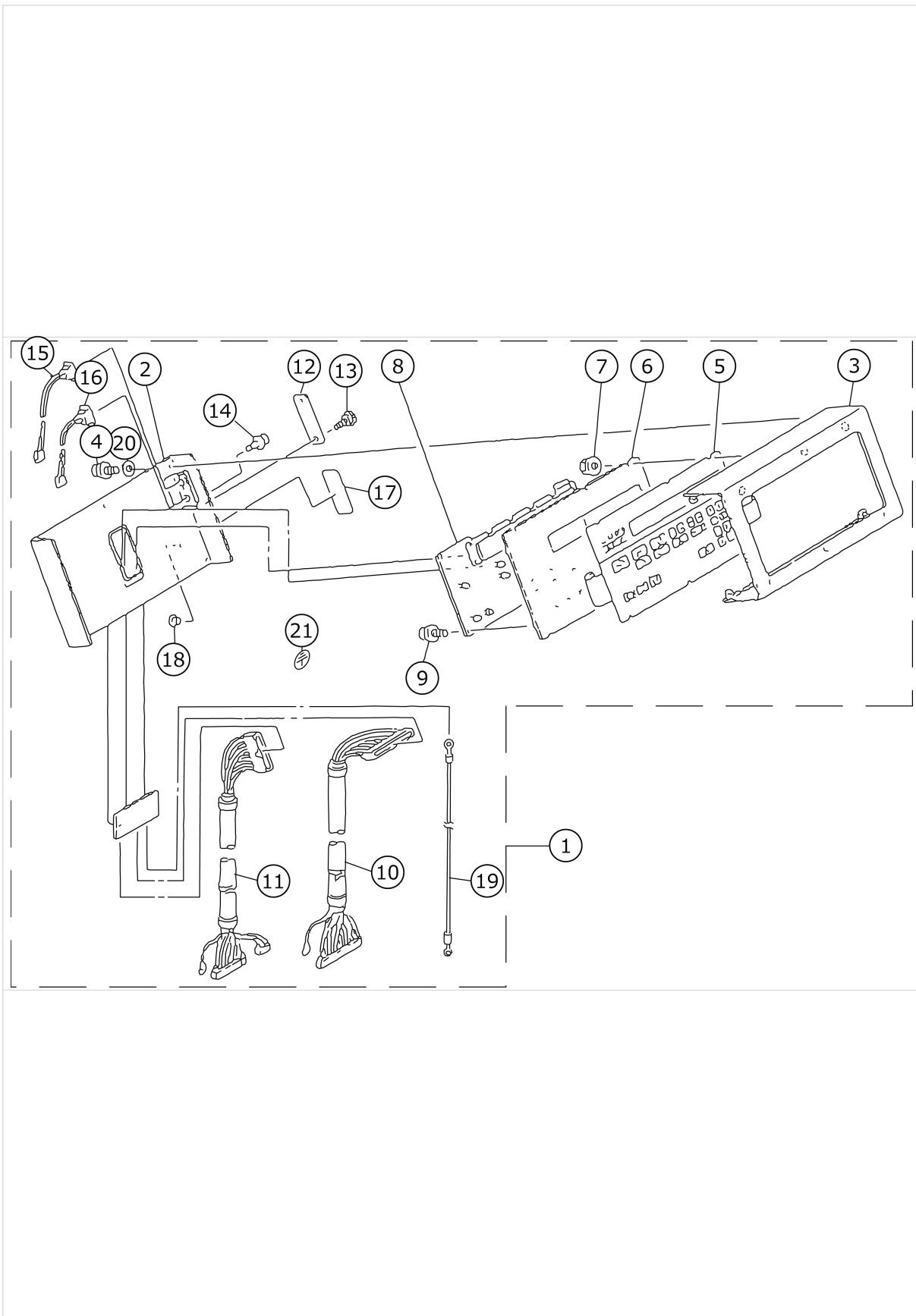
No.	品番	品名	備考	子部品	消耗品	個数
1	M8631543AA0	PANEL CIRCUIT BOARD ASM.				1.00
2	HX002400000	BUZZER		*		1.00
3	HG004350000	LIQUID CRYSTAL INDICATOR		*		1.00
4	G6312166000	LCD SPACER		*		4.00
5	HX00094000C	NYLON RIVET		*		4.00
6	HG004750000	LIGHT EMITTING DIODE		*		7.00
7	HR030301030	VOLUME (10K)		*		1.00
8	M8603544AA0	POWER CIRCUIT BOARD ASM.				1.00
9	M8603544000	POWER BOARD		*		1.00
10	HL006940000	IC (STR-9005)		*		1.00
11	SL4031481SF	SCREW M3 L=14		*		6.00
12	HL011820000	REGULATOR		*		1.00
13	HL011800000	REGULATOR		*		1.00
14	HG002650000	DIODE BRIDGE (S10VB20)		*		1.00
15	HG003780000	DIODE (FMM-32R)		*		2.00
16	HG003770000	DIODE (FMM-32S)		*		2.00
17	SL4031281SF	SCREW M3 L=12		*		1.00
18	HC027501030	CAPACITOR 10000MF 16V		*		2.00
19	HC011504720	CAPACITOR 4700MF 63V		*		2.00
20	NM3034000SF	FLANGE NUT		*		8.00
21	EA9544B0200	FUSE		*		1.00
22	E9602701000	FUSE 4A		*		1.00
23	E8523304000	FUSE 10A		*		1.00
24	E9611601000	FUSE 1A		*		2.00
25	SL4031081SF	SCREW M3 L=10		*		5.00

# ASSISTANT CLAMP, LIGHT MATERIAL CLAMP & LEAD MATCH CLAMP COMPONENTS (OPTION)



No.	品番	品名	備考	子部品	消耗品	個数
1	G55011640A0	AUXILIARY CLAMP ASM.				1.00
2	G5501164000	AUXILIARY CLAMP BRACKET		*		1.00
3	SM9061003SC	SCREW M6X10		*		2.00
4	WS0610002KN	SPRING WASHER 6.1X12.2X1.5		*		2.00
5	G5502164000	AUXILIARY CLAMP, UPPER		*		1.00
6	G5503164000	AUXILIARY CLAMP, LOWER		*		1.00
7	G5504164000	ADJUSTING METAL		*		1.00
8	SM6061202TN	BOLT		*		1.00
9	SM6030402TN	BOLT M3X4		*		2.00
10	G5138161000	RUBBER CAP		*		1.00
11	G5124164000	CLAMP SHAFT		*		1.00
12	NM6060001SC	NUT M6		*		1.00
13	WS0610002KN	SPRING WASHER 6.1X12.2X1.5		*		1.00
14	WP0641601SC	WASHER		*		1.00
15	G5125164000	CLAMP HOLDER		*		1.00
16	G2526270000	COLLAR		*		2.00
17	G5505164000	SPRING HOOK		*		1.00
18	SM6040602TP	SCREW M4 L=6		*		2.00
19	WP0430801SC	WASHER 4.3X9X0.8		*		2.00
20	G5126164000	SPRING		*		1.00
21	G5506164000	SCREW		*		1.00
22	NM6060001SC	NUT M6		*		2.00
23	PA160100500	AIR CYLINDER		*		1.00
24	SM6033052TP	SCREW		*		4.00
25	G5507164000	AUXILIARY CLAMP COVER		*		1.00
26	SM0040601SA	SCREW		*		2.00
27	BT0400251EB	URETHANE HOSE, BLACK		*		1.00
28	PJ305040503	UNION		*		1.00
29	WS0410002KN	SPRING WASHER		*		2.00
30	SM8040402TP	SCREW M4X0.7 L=4		*		6.00
31	G55081640A0	LIGHT FABRIC CLAMP ASM.				1.00
32	G5508164000	LIGHT FABRIC CLAMP		*		1.00
33	SM6031002TP	HEXAGONAL BOLT M3 X 10		*		2.00
34	WS0310002KN	SPRING WASHER M3		*		2.00
35	WP0320501SC	WASHER M3		*		2.00
36	G5138161000	RUBBER CAP		*		1.00
37	G5509164000	NEEDLE CLAMP				1.00

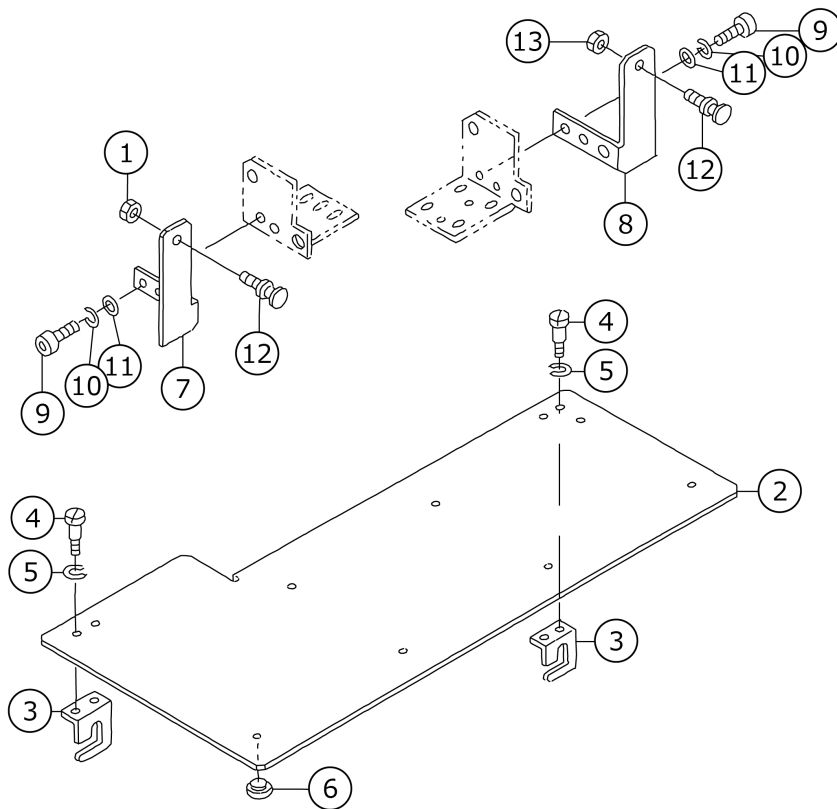
# PANEL BOX COMPONENTS





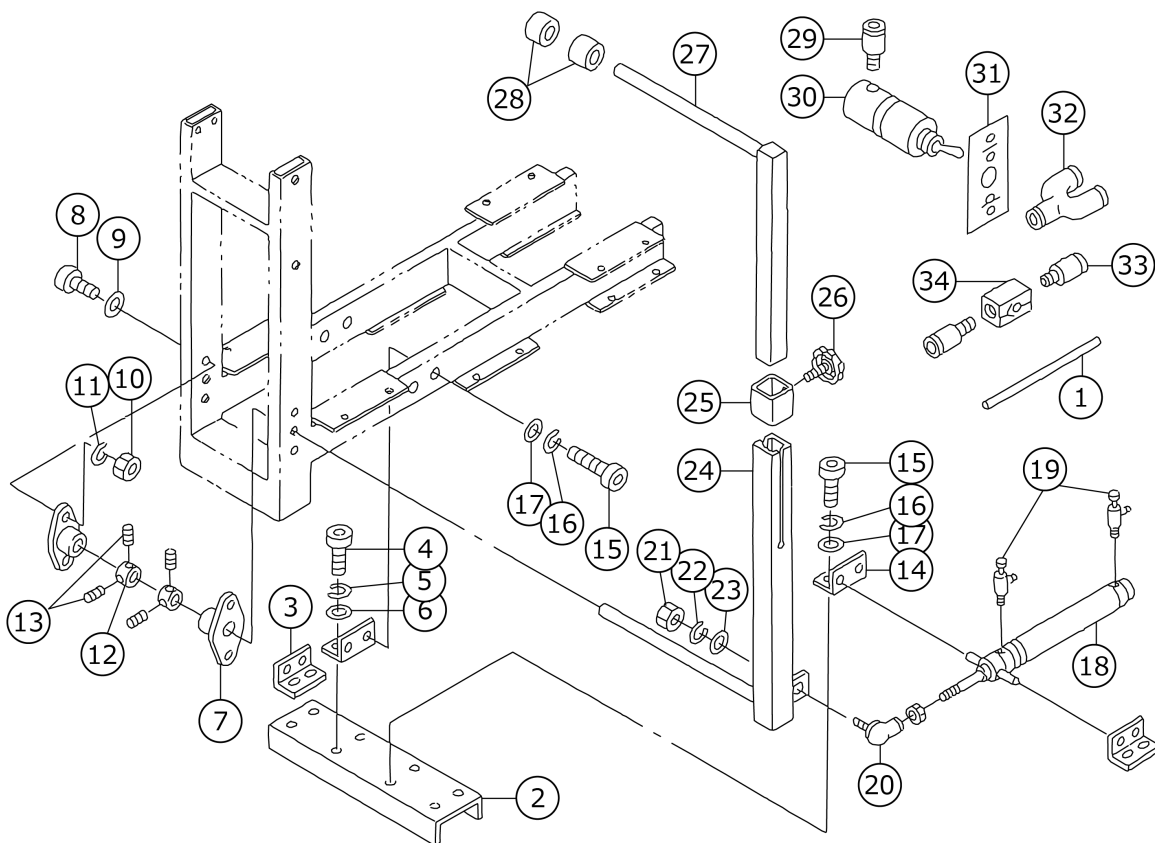
No.	品番	品名	備考	子部品	消耗品	個数
1	M85305440A0	PANEL BOX ASM.				1.00
2	M1030544000	FRAME PANEL BOX		*		1.00
3	M1031544000	FRAME PANEL BOX COVER		*		1.00
4	SL4030881SF	SCREW		*		5.00
5	M8630544000	PANEL MEMBRANE SWITCH		*		1.00
6	M1032540000	REINFORCEMENT PLATE		*		1.00
7	NM3034000SF	FLANGE NUT		*		6.00
8	M8631543AA0	PANEL CIRCUIT BOARD ASM.		*		1.00
9	SL4030881SF	SCREW		*		5.00
10	M85405440A0	CONNECTING CABLE ASM. 50P		*		1.00
11	M85415440A0	CONNECTING CABLE ASM. 34P		*		1.00
12	M1033543000	COVER		*		1.00
13	G6010003000	KNOB SCREW		*		2.00
14	SL4020881SC	SCREW M2 X 8		*		4.00
15	M85425430A0	FUNCTION SELECT SW ASM. 1		*		1.00
16	M85435430A0	FUNCTION SELECT SW ASM. 2		*		1.00
17	M1040544000	FUNCTION SELECT SEAL		*		1.00
18	TA0800504R0	PLUG D=8 L=4.5		*		1.00
19	M85425440A0	EARTH CORD ASM.		*		1.00
20	WT0320001KN	WASHER		*		6.00
21	E9567319000	EARTH MARK		*		1.00

# ASSISTANT FEED PLATE COMPONENTS



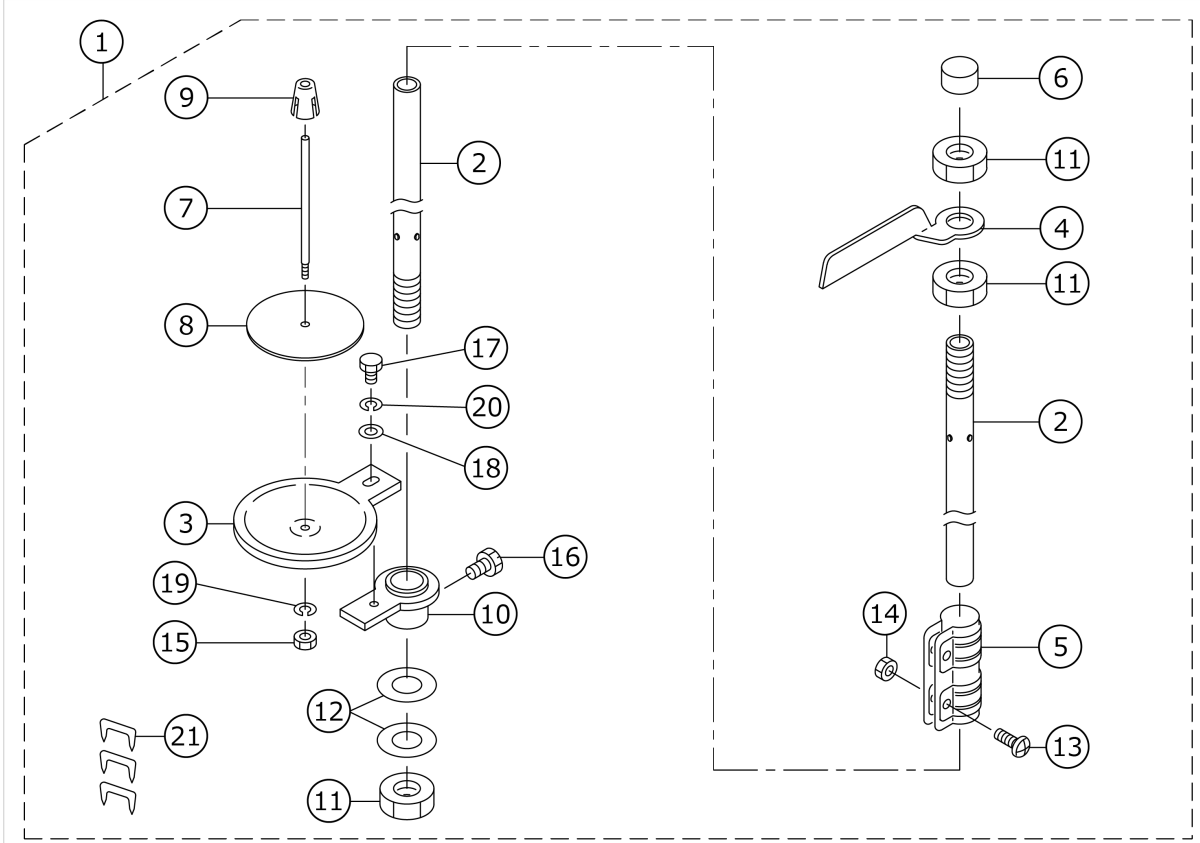
No.	品番	品名	備考	子部品	消耗品	個数
1	NS6090310SP	NUT 9/64-40				2.00
2	G5510164000	AUXILIARY FEED BOARD				1.00
3	G5511164000	BRACKET				2.00
4	SD0400191TP	HINGE SCREW D=4 H=1.9				4.00
5	WS0410002KN	SPRING WASHER				4.00
6	G5178162000	SLIDER				8.00
7	G5512164000	AUXILIARY FEED SUPPORT (LEFT)				1.00
8	G5513164000	AUXILIARY FEED SUPPORT (RIGHT)				1.00
9	SM6061002TP	SCREW M6 L=10				4.00
10	WS0610002KN	SPRING WASHER 6.1X12.2X1.5				4.00
11	WP0641601SC	WASHER				4.00
12	B1523232000	REGULATING SCREW				2.00

# NO.2 PRESSER COMPONENTS



No.	品番	品名	備考	子部品	消耗品	個数
1	BT0400251EB	URETHANE HOSE, BLACK				1.00
2	G5514164000	CYLINDER SUPPORT BASE				1.00
3	G5038171000	SIDE PLATE SUPPORT				2.00
4	SM6061202TP	SCREW M6 L=12				4.00
5	WS0610002KN	SPRING WASHER 6.1X12.2X1.5				4.00
6	WP0641601SC	WASHER				4.00
7	G5518164000	FLANGE UNIT				2.00
8	SM6061202TP	SCREW M6 L=12				4.00
9	WP0641601SC	WASHER				4.00
10	NM6060001SC	NUT M6				4.00
11	WS0610002KN	SPRING WASHER 6.1X12.2X1.5				4.00
12	G5215171000	THRUST COLLAR				2.00
13	SM8060812TP	SCREW M6 L=8				4.00
14	G5515164000	CYLINDER BRACKET				2.00
15	SM6061202TP	SCREW M6 L=12				8.00
16	WS0610002KN	SPRING WASHER 6.1X12.2X1.5				8.00
17	WP0641601SC	WASHER				8.00
18	PA2007503A0	AIR CYLINDER				1.00
19	PC015108000	SPEED CONTROLLER				2.00
20	G5204171000	LINK BOLL				1.00
21	NM6080003SC	NUT M8				1.00
22	WS0820002KN	SPRING WASHER M8				1.00
23	WP0841601SC	WASHER 8.4X17.4X1.6				1.00
24	G5517164000	PRESSER, LOWER				1.00
25	G5208164000	BAR LOCKER				1.00
26	G5221164000	KNOB				1.00
27	G5516164000	PRESSER, UPPER				1.00
28	G5216164000	STACKER RING				5.00
29	PJ301040504	JOINTING				3.00
30	PV010507000	VALVE				1.00
31	G5519164000	STACKER OPEN SWITCH LABEL				1.00
32	PJ308040002	QUICK COUPLING				1.00
33	PJ301040504	JOINTING				2.00
34	PV020501000	CHECK VALVE				1.00

# THREAD STAND COMPONENTS



No.	品番	品名	備考	子部品	消耗品	個数
1	B33011800AA	THREAD STAND ASM.				1.00
2	11185105	SPOOL REST ROD,LOWER		*		2.00
3	B3303180000	SPOOL REST		*		1.00
4	B3307704000	THREAD GUIDE A		*		1.00
5	B3305704000A	SPOOL REST ROD JOINT		*		1.00
6	B3311704000	SPOOL REST ROD CAP		*		1.00
7	B3320704L00A	SPOOL PIN		*		1.00
8	B3311012000	SPOOL REST CUSHION		*		1.00
9	11185501	SPOOL RETAINER		*		1.00
10	D3302772T00	SPOOL REST BRACKET		*		1.00
11	B3317704000	NUT		*		3.00
12	WP1612616SE	WASHER 16X30X2.6		*		2.00
13	SM4051405SE	SCREW M5 L=14		*		2.00
14	NM6050001SE	NUT M5		*		2.00
15	NM6050001SE	NUT M5		*		1.00
16	SM9061080SE	SCREW M6 L=10		*		1.00
17	SM9050813SE	SCREW M5X0.8 L=8		*		1.00
18	WP0520656SA	WASHER 5.2X9.5X0.6		*		1.00
19	WS0510002KN	SPRING WASHER		*		1.00
20	WS0521010KN	SPRING WASHER 5.2X8.2X1		*		1.00
21	MAO11532000	CORD STAPLE		*		3.00

# LIST FOR INFORMATION OF CHANGE (1)

As to the place changed, refer to the corresponding Rev.No.  
 When previous parts(Obsoleted part)and new parts(Added parts)are  
 not interchangeable with each other:  
 In this case, even obsoleted parts(D.)can be ordered with the  
 obsoleted part number, so select the parts with changed dates and  
 place your orders.

変更箇所は、該当Rev.No.版をご参照ください。

部品の互換性がない変更の場合は、削除された品番でも、ご注文できます。

29029907

No.0616-06・・・Rev.No.

\*A:Added parts追加部品/D:Obsoleted parts削除部品/E:Erratum訂正

* Rev. No.	Page 頁	Ref. No.	Parts No. 品番	* Rev. No.	Page 頁	Ref. No.	Parts No. 品番
D 05	1	6	MAZ-08901000	A 06	1	6	MAZ-08901000-A
D 05	4	1	MAZ-089110A0	A 06	4	1	MAZ-089110A0-A
D 05	4	8	GBR-01607000	A 06	4	8	MAZ-089130B0-A
D 05	4	9	NS-6080210-SD	A 06	4	9	MAZ-088230B0-A
D 05	4	21	B2547-372-N00	A 06	4	21	B2547-372-000
D 05	4	22	MAZ-089130A0	A 06	4	22	MAZ-089130A0-A
D 05	4	23	MAZ-08914000	A 06	4	23	MAZ-08914000-A
D 05	4	25	MAZ-08915000	A 06	4	25	MAZ-08915000-A
D 05	4	29	MAZ-088230A0	A 06	4	29	MAZ-088230A0-A
D 05	4	30	B2557-372-RA0	A 06	4	30	MAZ-0882300A
D 05	4	37	MAZ-08824000	A 06	4	37	MAZ-16522000
D 05	4	41	HX-0015000-00	A 06	4	41	HX-0015000-0A
D 05	4	44	WS-0310002-KN	A 06	4	44	WS-0310002-KR
D 05	4	45	SS-6080610-TP	A 06	4	45	SS-6081010-TP
D 05	4	50	MAZ-08923000	A 06	4	50	MAZ-16723000
D 05	4	51	SS-6081010-TP	A 06	4	51	SD-0450403-TP
D 05	4	52	WZ-0420350-KP	A 06	4	52	WP-0451026-SH
D 05	4	59	MAZ-08920000	A 06	4	59	MAZ-08920000-A
D 05	4	63	WS-0310002-KN	A 06	4	63	WS-0310002-KR
D 05	16	43	SS-6111052-TP	A 06	16	43	SS-6121212-TP
D 05	16	45	WP-0450846-SP	A 06	16	45	WP-0450856-SP
D 05	19	21	SS-6090810-SP	A 06	19	21	SS-7110840-SP
D 05	19	22	WS-0410002-KN	A 06	19	22	WS-0510002-KN
D 05	19	23	WP-0430801-SC	A 06	19	23	WP-0480856-SP
D 05	38	33	SM-2031001-SB	A 06	38	33	SM-0040601-SA
D 05	38	34	182-22901	A 06	38	34	HX-0005600-00
				A 06	38	36	HX-0005600-0C
				A 06	38	37	NM-6030001-SC





# HOW TO MAKE USE OF THIS PARTS LIST

## 1.Explanation of codes

1)"\*"mark.....means this part is changed from the previous parts book.

As to the details of the change, refer to the "List for information of change".

2)"#01".....refer to "Note" explanation at bottom of page.

## 2.Codes on the "Qty" column

· Each numeral indicates the number of parts required.

· "0.1" and "2.5" indicate the length (in meters) of the respective parts.

3.Parentheses mean that the corresponding part is a subpart that constructs an assembly part.

4.Dotted lines on the Figures indicate assembly parts.

## 1."注記"欄の記号説明

1) "\*"印.....前回のパーツブックに比較して今回変更された部品を意味します。

変更内容は、"変更情報リスト"を参照してください。

2) "#01".....ページ下の"注記"の説明を参照してください。

2.数量欄の数字は、個数を表し、0.1、2.5等の数値は、長さ（単位メートル）を表します。

3.数量欄の（ ）は、組部品を構成している子部品であることを意味します。

4.イラストページの-----枠は、組構成であることを意味します。